

JANUARY 2014

Transporter passenger carriers



Commercial
Vehicles

Transporter shuttles

Carry up to eight passengers

Window vans

A choice of seating layouts

Spacious and comfortable

Lots of passenger-friendly features

Smooth performers

Get your customers moving
in style and comfort



The perfect Transporter: for drivers and passengers



THE TRANSPORTER HAS been the mainstay of Volkswagen's hugely successful commercial vehicle range for 60 years, and not just for carrying goods and cargo. Almost as soon as the original split-screen hit the roads, it was modified to carry people as well.

Today's Transporter passenger-carrier range is more adaptable than ever, with the versatile window van and the stylish Transporter shuttle available in short- and long-wheelbase. Both seat up to eight passengers.

Thanks to Volkswagen's advanced 2.0-litre TDI diesel engines – with the option of BlueMotion Technology for even greater efficiency – they're incredibly economical, helping you save money in the long run. And they come with a great three-year warranty and support package.

You can also customise your vehicle with cost-effective trimlines and an extensive range of factory-fit options. Just pick the one that's right for you.



Transporter window van

>p14

Transporter shuttle

>p16



CONTACT US ON:

0800 717 131

www.volkswagen-vans.co.uk

GET CONNECTED:

@Volkswagen_CV

VolkswagenCommercialVehiclesUK

vwcommercialvehicles

Contents

All your vehicle-buying questions answered

What's it like to drive?

>p6

What engines are available?

>p10

Which model is right for me?

>p14

How much will my vehicle cost?

>p18

What options can I add?

>p30

What are the key facts and figures?

>p48

What support can I expect?

>p58



Putting your passengers first. It's what we've always done

Today's Volkswagen passenger carriers are just the latest step in a 60-year journey that started with one clever idea

Back in 1947, Dutch importer Ben Pon spotted workers at Volkswagen's Wolfsburg factory using a stripped-down Beetle to move parts and machinery around. Inspired, he sketched the platform for a versatile commercial vehicle that could be adapted to a wealth of uses. From this, the Transporter was born in 1950, and the van world has never looked back.

Today, Volkswagen Commercial Vehicles is just as well known for its passenger carriers – from the compact Caddy Maxi, through the adaptable Transporter window van and shuttle, to the stylish, luxurious Caravelle.

They're as versatile and dependable as Volkswagens have always been, but now they're more spacious, more comfortable, easier to drive and more fuel-efficient than ever. They're backed up by a Van Centre network that's ready to solve any problem you may have, too.

Getting the job done efficiently and reliably has been at Volkswagen's heart for the past 60 years. It's a reputation for rugged reliability that has endured over the decades. And that's why you can count on us to deliver a vehicle that works for you, today.



Driving

Get your passengers from A to B, easily and in comfort



The perfect way to arrive

The Transporter shuttle and window van are packed with features to help move your passengers safely, efficiently and comfortably

The Transporter's powerful and efficient 2.0-litre TDI turbo-diesel engines deliver plenty of power, while compact, city-friendly dimensions give the Transporter the sort of car-like driving feel that makes getting passengers to their destination easy. In fact, a short-wheelbase Transporter is only slightly longer than a family saloon, making it easy to park – especially if you add the optional parking sensors.

Geared up for easy shifts

All Transporter passenger carriers come with either a five- or six-speed manual gearbox, with an easy-to-reach, dash-mounted gear lever. You can also opt for the convenience of our seven-speed automatic Direct Shift Gearbox (DSG).

Add some off-road ability

If you'll be driving off-road where more traction is required, consider choosing optional 4MOTION®. It delivers true all-wheel-drive performance when it's needed, but – in normal conditions – reverts to driving only the front wheels to ensure maximum fuel economy.

Safety comes as standard

The Transporter shuttle and window van are packed with technology to help keep you – and your passengers – as safe as possible. Volkswagen's advanced ESP (Electronic Stabilisation Programme) works with ABS (Anti-lock Braking System), EBD (Electronic Brakeforce Distribution) and TCS (Traction Control System), while Hill Hold Assist makes hill-starts a doddle. All these features are fitted as standard on every vehicle, and work without you having to lift a finger.

Driving tech explained



Direct Shift Gearbox (DSG)

Our seven-speed Direct Shift Gearbox (DSG) is great for city driving. It can be used either as a fully automatic gearbox or as a quick-shift manual. Just nudge the gear lever forwards or backwards to change gear up or down.

4MOTION

4MOTION® is an all-wheel-drive system that helps maintain optimum grip in all conditions. If one wheel loses traction, 4MOTION® reacts in milliseconds to send more power to the wheels with most grip.

Comfortable and convenient

Smart, versatile and packed with features, the Transporter's cab is a great place to keep your business working

Whether you're doing motorway miles or quick stops around town, there's a good chance that you spend more time in your Transporter than you do on your sofa at home, so it has to be comfortable. You'll also want to stay in touch with colleagues and customers. That's why we've built the cab of the Transporter with both comfort *and* work in mind.

The perfect fit for you

Ergonomically designed seats give terrific support and have height, lumbar, reach and rake adjustment, while the steering column has height and rake adjustment to ensure your driving position is personalised. Remote central locking, and electric front windows and door mirrors also come as standard for added convenience.

Stay in touch on the move

Your clients want to be able to reach you all the time. That's why we offer optional Bluetooth® connectivity, allowing you to connect your phone and speak safely on the move. With a selection of high-quality audio and satellite-navigation systems, you'll also stay entertained and on the right road, wherever you are.



Electric front windows and electrically adjustable mirrors come as standard

Ultra-clear dashboard

All the controls are easy to use, so you stay focused on the road. A gearshift indicator helps you change gear at the most economical moments.

Comfy seats

Our ergonomically designed seats offer terrific support. Different seat packages let you choose a layout that's perfect for you and your passengers.



Cool and comfortable

Heat-reflective glass keeps things cool, even in the summer. Add air-conditioning for even greater temperature control through the seasons.

Entertainment and sat-nav to suit you

Want to play MP3s, listen to DAB radio, watch a DVD when you're at rest, or add Europe-wide sat-nav? We've got the kit for you in our options section.

Three-spoke steering wheel

The three-spoke steering wheel is comfortable and easy to use at all times. An optional Bluetooth® kit and multi-function steering wheel let you control your phone and audio system with ease.



Plenty of places to store your stuff

PASSENGER CARRIERS don't just carry people, and luggage in the rear – their cabs hold all the clutter of your working day, too. That means invoices, drinks, laptops and more. You'll find lots of clever nooks and crannies in every Transporter – a shelf in the roof, huge door pockets, a large area under the passenger seats and an optional fold-down tray on the passenger seat.



Engines

Technology that helps to cut fuel bills and lower emissions



Intelligent power to drive you on

The Transporter's advanced 2.0-litre TDI engines are strong enough to get the job done, while keeping fuel bills to a minimum

Fuel is likely to be one of your biggest running costs nowadays, and a big burden on your business. That's why we've taken our years of experience developing advanced TDI turbo-diesel technology and applied it to the Transporter's 2.0-litre engine range. As a result, they now offer more power and use less fuel than ever before – up to 20% less, in fact.

Versatile engine choices

The Transporter's engine range starts with an 84PS 2.0-litre TDI that returns our best fuel efficiency, and goes all the way to a 180PS twin-turbo 2.0-litre BiTDI that has plenty of power and torque for those days when you've got a lot of passengers.

Go even greener

If you want to save even more fuel and cut emissions even further, you can always add BlueMotion Technology. Turn the page to learn more about how BlueMotion Technology works.



Tips to save you even more fuel

Add a sat-nav

A sat-nav can plot shorter routes and prevent wrong turns – some can even help you navigate around traffic jams. It all helps cut fuel consumption.

Driver training

Training can teach you to drive more economically and safely. Ask the Freight Transport Association (www.fta.co.uk) for details.

Check your tyre pressures

Up to 20% of fuel consumption comes from the tyres' rolling resistance. It's even more if your tyres are underinflated, so check them regularly.

Use your gearshift indicator

A gearshift indicator is fitted to all Transporters. It helps you change gear at the most efficient times.

More miles, less impact

BlueMotion Technology lowers your van's fuel usage and CO₂ emissions. It's now available across most models in the Transporter range

If you want to take the fuel efficiency of your Volkswagen Transporter to a whole new level – and cut emissions even further – you can always opt to add BlueMotion Technology to your engine choice.

The power of technology

BlueMotion Technology is a combination of energy-saving solutions – start/stop, low-rolling-resistance tyres, energy recuperation and cruise control – that you can add to many vehicles in the Transporter range. Working together, they reduce CO₂ emissions and improve fuel economy. Over the life of your vehicle, that could lead to a significantly lower whole-life running cost, as well as lots of time saved at the pumps.

Savings without compromise

Another benefit of BlueMotion Technology is that the savings come without compromising your passengers' comfort or the way you work, as you can still add most factory-fit options. Your Van Centre can help you choose the best specification for you.

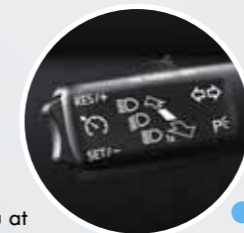


How BlueMotion Technology works to lower your fuel bills and CO₂ emissions

BlueMotion Technology is available as an engine option on most Transporter passenger carriers, and is made up of four elements. Together, they make significant cuts in fuel consumption and CO₂ emissions, which keeps money in your pocket and reduces the impact on the world around us.

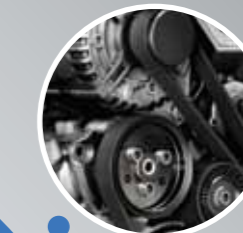
Cruise control

By keeping you at a constant speed, cruise control saves fuel that would normally be wasted when your speed fluctuates. It's especially useful when you're driving for long stretches, because it stops your speed creeping up unintentionally and reduces driver stress.



Start/stop

Start/stop allows you to save fuel at traffic lights. When you stop, put your vehicle in neutral, release the clutch and the engine automatically switches off, saving fuel and reducing emissions. When you're ready to go, depress the clutch and the engine starts up again.



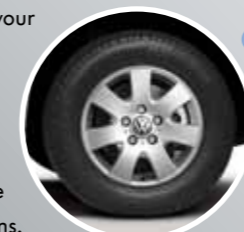
Regenerative braking

When braking, energy during deceleration is wasted. Our energy recuperation system uses some of that momentum to turn the alternator and charge the battery. If the battery is well-charged, the engine has to do less work turning the alternator to keep it topped up. This cuts fuel use and emissions.



Low-rolling-resistance tyres

Fitting tyres with low rolling resistance means that the engine doesn't have to work as hard to get your vehicle moving – or keep it moving. It all helps to save fuel and reduce carbon emissions.



Models

Choose the level of style and features to suit you



Transporter window van

Seating options that suit you

The Transporter window van comes with a choice of configurations that let you carry up to eight passengers and plenty of luggage

The Transporter window van is the perfect vehicle if you want to move large groups of people quickly and efficiently. It comes with a choice of short- and long-wheelbases, three optional roof heights for added headroom and seven different front and rear seat options that allow you to carry up to eight passengers.

The long and tall of it

With a floor height of 572mm, and a side sliding door on the left, getting in and out of the Transporter window van is easy. Roof heights up to 1,925mm on the long-wheelbase model with the high-roof option mean there's plenty of headroom for even the tallest passengers.

Seven seat configurations

With up to seven seating configurations, you've got a world of choice. In the front, the driver can choose either a single passenger seat, or a two-seater bench to carry an extra person. You can even choose heated or swivelling seats if you opt for the single front passenger seat. In the back, you can have a single row of up to three seats, or two rows totalling up to six. This level of versatility means you can choose to carry more people, or luggage.



Transporter window van features

- ✓ Electrically adjustable and heated door mirrors
- ✓ Driver's seat with height, lumbar, reach and rake adjustment
- ✓ Passenger-side sliding door
- ✓ Tailgate with heated rear window and wash/wipe
- ✓ Electric front windows
- ✓ RCD 210 radio/single CD player
- ✓ Remote central locking
- ✓ Driver and front passenger airbags
- ✓ Austin cloth upholstery

Transporter shuttle

An extra touch of class

The Transporter shuttle offers increased levels of style and comfort, while still providing seating for up to eight passengers and plenty of space for luggage

The Transporter shuttle has been designed with passengers in mind. It takes all of the great practicality and functionality of the Transporter window van and adds even more features that benefit you and your passengers in the back. That means sliding doors on both sides of the vehicle which make getting in and out that much easier, and a spacious seating layout with plenty of room for up to eight passengers.

Pick from two trims

With a choice of S and SE models, the Transporter shuttle lets you choose your level of interior luxury. The S model has all the great features of the window van – plus Tasamo cloth upholstery, additional reading lights, arm rests and grab handles. The driver benefits from extra comfort, too, with dimmable dashboard illumination and electrically adjustable and heated door mirrors.

More style: inside and out

If you want to add an even greater sense of luxury to your shuttle, you can opt for the SE model, which comes with manually controlled air-conditioning – a great way to keep you and your passengers cool. The SE also features Timo cloth upholstery and an upgraded headlining in the passenger compartment with ventilation strips and reading lights. On the outside, body-coloured bumpers, full wheel trims and chrome radiator grille trim add extra style to give the SE the impressive road presence it deserves.



Transporter shuttle S features

- ✓ Electrically adjustable and heated mirrors
- ✓ Sliding side doors on both sides
- ✓ Tailgate with heated rear window and wash/wipe
- ✓ Driver's seat with height, lumbar, reach and rake adjustment
- ✓ Electric front windows
- ✓ RCD 210 radio/single CD player
- ✓ Remote central locking
- ✓ Thatcham category 1 alarm and immobiliser with interior monitoring and tow-away protection
- ✓ Driver and passenger airbags
- ✓ Tasamo cloth upholstery

Transporter shuttle SE features

All the features of the shuttle S, plus:

- ✓ Body-coloured bumpers
- ✓ Carpet floor covering in the cab
- ✓ Chrome trim on the radiator grille
- ✓ Manually controlled air-con, with rear roof vents
- ✓ Timo cloth upholstery
- ✓ Upgraded headlining in passenger compartment

Features and prices

One simple path to your perfect vehicle

Transporter window van: **Standard features**



Exterior

80-litre lockable fuel tank
Black wheel-centre caps
Electrically heated and adjustable door mirrors
Galvanised full steel body
Grey bumpers
Heat reflective glass
Wheels:
16" steel wheels
17" steel wheels (180PS models)
Tyres:
205/65 R16
235/55 R17 (180PS models)
215/60 R17 all-weather (T32 180PS models)
Full-size spare wheel with tool kit and jack
Tailgate with heated rear window and wash/wipe system
Driver and passenger-side sliding door

Interior

Cab area:
RCD 210 radio/single CD player with two speakers
Manually controlled heating system with dust and pollen filter and air recirculation
Electric front windows
Driver's seat with height, lumbar, reach and rake adjustment
Single passenger seat with reach and rake adjustment
Austin cloth upholstery
12V socket
Digital clock
Interior light
Rev counter
Rubber floor covering
Gearshift indicator
Lockable glove compartment
Storage net on lower dash passenger side
Rear:
Two door-activated interior lights
Childlocks (not on optional unglazed rear doors)
Fixed side windows
Interior entry step
Rear-door interior release lever
Rubber floor covering

Safety and security

Airbags – driver, front passenger (with deactivation switch)
Thatcham Category 2 immobiliser
Height-adjustable head restraints
Height- and rake-adjustable steering column
Remote central locking with internal locking switch with one fixed and two folding remote keys
Electronic Stabilisation Programme (ESP)
Anti-lock Braking System (ABS)
Electronic Brakeforce Distribution (EBD)
Electronic Differential Lock (EDL)
Hill Hold Assist



Passenger-side sliding door

The Transporter window van comes with a passenger-side sliding door as standard. You can replace this with a driver-side door. Or, add a driver-side door as a factory-fitted option to let you load the vehicle from both sides.



RCD 210 radio/CD player

The RCD 210 includes an AM/FM radio and MP3 file-compatible CD player, and comes with two 20W speakers in the cab. You can choose to upgrade your audio, or add phone connectivity or a sat-nav, in our factory-fit options section.



Tailgate with heated rear window and wash/wipe

Thanks to a large tailgate, it's easy to load luggage. The heated rear window with wash/wipe helps to keep rear visibility clear, and lets more light into the passenger bay.



Electric front windows and electrically adjustable mirrors

Every Transporter window van comes fitted with electric front windows and electrically heated and adjustable door mirrors.



Safety features: as standard

The Transporter comes with a driver and front passenger airbag, as well Electronic Stabilisation Programme (ESP), Anti-lock Braking System (ABS) and Electronic Brakeforce Distribution (EBD). Also fitted is Hill Hold Assist for easy hill starts.



In-cab storage solutions

Passenger carriers don't just carry people – the cab will also swallow the clutter that fills your working day. Luckily, there are lots of clever storage solutions in the Transporter window van, including a large lockable glove compartment.

How to pick your ideal Transporter window van

- p20 Select a base model/engine
- p22 Add BlueMotion Technology for even greater fuel savings
- p30 Choose any factory-fit options that you want



Transporter window van: Prices



Model	Engine/transmission	Basic (ex VAT)	Total (inc VAT)	Total RRP including OTR* (ex VAT)	Total RRP including OTR* (inc VAT)
Transporter window van					
Short wheelbase					
T30	2.0TDI 84PS	£18,750.00	£22,500.00	£19,865.00	£23,732.00
	2.0TDI 102PS***	£19,515.00	£23,418.00	£20,630.00	£24,650.00
	2.0TDI 114PS**	£20,155.00	£24,186.00	£21,130.00	£25,278.00
	2.0TDI 140PS	£21,130.00	£25,356.00	£22,245.00	£26,588.00
	2.0TDI 140PS DSG	£22,710.00	£27,252.00	£23,970.00	£28,629.00
	2.0TDI 140PS 4MOTION®	£23,360.00	£28,032.00	£24,620.00	£29,409.00
	2.0BiTDI 180PS	£22,830.00	£27,396.00	£23,945.00	£28,628.00
	2.0BiTDI 180PS DSG	£24,410.00	£29,292.00	£25,670.00	£30,669.00
	2.0BiTDI 180PS 4MOTION®	£25,060.00	£30,072.00	£26,320.00	£31,449.00
	2.0BiTDI 180PS DSG 4MOTION®	£26,640.00	£31,968.00	£28,120.00	£33,565.00
T32	2.0TDI 102PS***	£19,885.00	£23,862.00	£21,000.00	£25,094.00
	2.0TDI 114PS**	£20,525.00	£24,630.00	£21,500.00	£25,722.00
	2.0TDI 140PS	£21,500.00	£25,800.00	£22,615.00	£27,032.00
	2.0TDI 140PS DSG	£23,080.00	£27,696.00	£24,340.00	£29,073.00
	2.0TDI 140PS 4MOTION®	£23,730.00	£28,476.00	£24,990.00	£29,853.00
	2.0BiTDI 180PS	£23,200.00	£27,840.00	£24,315.00	£29,072.00
	2.0BiTDI 180PS DSG	£24,780.00	£29,736.00	£26,040.00	£31,113.00
	2.0BiTDI 180PS 4MOTION®	£25,430.00	£30,516.00	£26,690.00	£31,893.00
	2.0BiTDI 180PS DSG 4MOTION®	£27,010.00	£32,412.00	£28,490.00	£34,009.00

Every Transporter has an 'On The Road' package that covers basic vehicle costs

On The Road (OTR) package	
First registration fee	£55.00
Delivery to Van Centre	£565.00
VAT	£117.00
Vehicle Excise Duty (1 year)	Various*
Number plates	£20.00
Basic OTR (ex VAT)	Various*
Total OTR price	Various*

*For full details of VED (Vehicle Excise Duty) bands, please see the inside back cover

Model	Engine/transmission	Basic (ex VAT)	Total (inc VAT)	Total RRP including OTR* (ex VAT)	Total RRP including OTR* (inc VAT)
Transporter window van					
Long wheelbase					
T30	2.0TDI 84PS	£19,450.00	£23,340.00	£20,565.00	£24,572.00
	2.0TDI 102PS***	£20,215.00	£24,258.00	£21,330.00	£25,490.00
	2.0TDI 114PS**	£20,855.00	£25,026.00	£21,830.00	£26,118.00
	2.0TDI 140PS	£21,830.00	£26,196.00	£22,945.00	£27,428.00
	2.0TDI 140PS DSG	£23,410.00	£28,092.00	£24,670.00	£29,469.00
	2.0TDI 140PS 4MOTION®	£24,060.00	£28,872.00	£25,320.00	£30,249.00
	2.0BiTDI 180PS	£23,530.00	£28,236.00	£24,645.00	£29,468.00
	2.0BiTDI 180PS DSG	£25,110.00	£30,132.00	£26,370.00	£31,509.00
	2.0BiTDI 180PS 4MOTION®	£25,760.00	£30,912.00	£27,020.00	£32,289.00
	2.0BiTDI 180PS DSG 4MOTION®	£27,340.00	£32,808.00	£28,820.00	£34,405.00
T32	2.0TDI 102PS***	£20,585.00	£24,702.00	£21,700.00	£25,934.00
	2.0TDI 114PS**	£21,225.00	£25,470.00	£22,200.00	£26,562.00
	2.0TDI 140PS	£22,200.00	£26,640.00	£23,315.00	£27,872.00
	2.0TDI 140PS DSG	£23,780.00	£28,536.00	£25,040.00	£29,913.00
	2.0TDI 140PS 4MOTION®	£24,430.00	£29,316.00	£25,690.00	£30,693.00
	2.0BiTDI 180PS	£23,900.00	£28,680.00	£25,015.00	£29,912.00
	2.0BiTDI 180PS DSG	£25,480.00	£30,576.00	£26,740.00	£31,953.00
	2.0BiTDI 180PS 4MOTION®	£26,130.00	£31,356.00	£27,390.00	£32,733.00
	2.0BiTDI 180PS DSG 4MOTION®	£27,710.00	£33,352.00	£29,190.00	£34,849.00

** Includes BlueMotion Technology as standard

*** BlueMotion Technology can be added to any model in the Transporter range except for those with a 2.0TDI 102PS engine
For a full description of BlueMotion Technology and additional price, see p22



Finance that makes buying a Volkswagen even more affordable

Thanks to our range of finance packages, you may be surprised by how much you can afford. Make driving a Volkswagen a reality by speaking to us today.



Transporter window van: **BlueMotion Technology**

BlueMotion Technology

Technology that dramatically improves the fuel efficiency and lowers emissions from your vehicle, cutting your fuel bills and your impact on the environment. It can be added to most engines in the Transporter window van range. Please ask your Van Centre for more details.



Start/stop

Start/stop helps you to save fuel in slow traffic and at traffic lights by cutting the engine. When you're ready to get going again, the engine automatically restarts.



Low rolling-resistance tyres

Tyres with low rolling-resistance mean that the engine doesn't have to work as hard to get your van moving – or keep it moving. It all helps to save fuel and reduce emissions.



Cruise control

By keeping your vehicle at a constant speed for long stretches of your journey, cruise control saves fuel that would normally be wasted when your speed fluctuates.



Energy recuperation

Energy recuperation uses momentum during deceleration to turn the alternator and charge the battery. That means the engine can do less work at other times.



BlueMotion Technology badge

By carrying the BlueMotion Technology badge, you're showing that your business chooses vehicles that keep their impact on the environment to a minimum.

BLUEMOTION TECHNOLOGY

Add the BlueMotion Technology price to the price of your Transporter window van

BlueMotion Technology price	
Basic (ex VAT)	£335.00
Total RRP (inc VAT)	£402.00

Please note: The 114PS engine includes BlueMotion Technology as standard, and therefore incurs no additional charge. BlueMotion Technology is not available on models with a 102PS engine





Transporter shuttle S: Standard features



Exterior

- 80-litre lockable fuel tank
- Black wheel centre caps
- Electrically heated and adjustable door mirrors
- Galvanised full steel body
- Grey bumpers
- Heat-reflective glass
- Wheels:**
- 16" steel wheels
- 17" steel wheels (180PS models)
- Tyres:**
- 205/65 R16
- 235/55 R17 (180PS models)
- 215/65 R17 with low rolling-resistance tyres (114PS and BlueMotion Technology)
- Full-size steel spare wheel with tool kit and jack
- Driver- and passenger-side sliding door
- Tailgate with heated rear window and wash/wipe system

Interior

- Cab area:**
- RCD 210 radio/single CD player with four speakers
- Manually controlled heating system with dust and pollen filter and air recirculation
- Electric front windows
- Driver and front passenger seats with height, lumbar, reach and rake adjustment and armrests
- Tasamo cloth upholstery
- 12V socket
- Sun visors with vanity mirrors
- Digital clock
- Interior light
- Rev counter
- Rubber floor covering
- Lockable glove compartment
- Storage net on lower dash passenger side
- Gearshift indicator
- Dimmable dashboard illumination
- Rear:**
- Two-seat bench (right) with two ISOFIX mountings and separate seat (left) in second row
- Three-seat bench in third row, folding and tipping
- Grab handle on A-pillars for driver and front passenger
- Sunblinds for side windows in passenger compartment
- Reading lights in headlining for rear passenger compartment
- Load lashing rings (six with short wheelbase, eight with long wheelbase)
- Rubber floor covering

Safety and security

- Driver and front passenger (with deactivation) airbags
- Thatcham Category 1 alarm and immobiliser with tow-away, perimeter and interior protection
- Remote central locking with internal locking switch and two remote folding keys
- Height- and rake-adjustable steering column
- Height-adjustable head restraints
- Electronic Stabilisation Programme (ESP)
- Anti-lock Braking System (ABS)
- Electronic Brakeforce Distribution (EBD)
- Electronic Differential Lock (EDL)
- Hill Hold Assist

How to pick your perfect Transporter shuttle

- p27 Choose a model/engine with either the S or SE trimline
- p28 Add BlueMotion Technology for even greater fuel savings
- p30 Choose any factory-fit options you want



Driver- and passenger-side sliding doors

The Transporter shuttle has both driver- and passenger-side sliding doors for added convenience. You can add power latching or electric side doors as factory-fit options.



RCD 210 radio/CD player

The RCD 210 includes an AM/FM radio and MP3 file-compatible CD player, and comes with four 20W speakers in the cab. You can choose to upgrade your audio, or add phone connectivity or a sat-nav, from our factory-fit options section.



In-cab storage solutions

The Transporter shuttle's cab has lots of clever storage solutions – including a large lockable glove compartment – so there's plenty of room for all your business and personal clutter.



Passenger seating for seven

The Transporter shuttle has seven passenger seats as standard. Seating options let you either add more luggage or legroom, or seat up to nine. You can even specify heated or swivelling seats for extra comfort and convenience.



Safety features: as standard

The Transporter shuttle has a driver and front passenger airbag, plus Electronic Stabilisation Programme (ESP), Anti-lock Braking System (ABS) and Electronic Brakeforce Distribution (EBD). Hill Hold Assist is also fitted to aid easy hill starts.



Tailgate with heated rear window and wash/wipe system

Thanks to a large tailgate, it's easy to load luggage. The heated rear window with wash/wipe helps to keep rear visibility clear, and lets more light into the passenger bay.



Transporter shuttle SE: Standard features

In addition to Transporter shuttle S:

Exterior

- Chrome detailing in upper grille
- Body-coloured bumpers, door mirrors and handles
- Wheel trims
- Steel wheels:**
 - 16" x 6.5J (84PS, 102PS, 114PS and 140PS models)
 - 17" x 7J (180PS models)

Tyres:

- 205/65 R16 (84PS, 102PS and 140PS models)
- 215/65 R16 with low rolling-resistance (114PS BlueMotion Technology models)
- 235/55 R17 (180PS models)

Interior

- Carpet floor covering
- Climatic semi-automatic air-conditioning system
- Storage pockets on front seat backrests
- Timo cloth upholstery
- Premium dashboard (includes Platinum Grey centre console surround, rubber storage compartment trays and air-vent controls)
- Trip computer with multi-function display
- Deluxe headlining incorporating ventilation strips and adjustable reading lights
- Washer fluid level indicator
- Two-tone horn



Body-coloured bumpers

Body-coloured bumpers, door mirrors and door handles add extra style and sophistication to the Transporter shuttle SE – useful when you want your business to make a good impression.



Climatic air-conditioning

The Transporter shuttle SE comes with Climatic air-conditioning as standard. It's great for keeping you and your passengers cool and comfortable.

Transporter shuttle S and SE: Prices



Finance that makes buying a Volkswagen even more affordable

Thanks to our range of finance packages, you may be surprised by how much you can afford. Make driving a Volkswagen a reality by speaking to us today.

Every Transporter has an 'On The Road' package that covers basic vehicle costs

On The Road (OTR) package	
First registration fee	£55.00
Delivery to Van Centre	£565.00
VAT	£117.00
Vehicle Excise Duty (1 year)	Various*
Number plates	£20.00
Basic OTR (ex VAT)	Various*
Total OTR price	Various*

* For full details of VED (Vehicle Excise Duty) bands, please see the inside back cover

Model	Engine/transmission	Basic (ex VAT)	Total (inc VAT)	Total RRP including OTR* (ex VAT)	Total RRP including OTR* (inc VAT)
Transporter shuttle S					
Short wheelbase					
T30	2.0TDI 84PS	£22,350.00	£26,820.00	£23,465.00	£28,052.00
	2.0TDI 102PS***	£23,115.00	£27,738.00	£24,230.00	£28,970.00
	2.0TDI 114PS**	£23,755.00	£28,506.00	£24,730.00	£29,598.00
	2.0TDI 140PS	£24,730.00	£29,676.00	£25,845.00	£30,908.00
	2.0TDI 140PS DSG	£26,310.00	£31,572.00	£27,570.00	£32,949.00
Long wheelbase					
T30	2.0TDI 84PS	£23,050.00	£27,660.00	£24,165.00	£28,892.00
	2.0TDI 102PS***	£23,815.00	£28,578.00	£24,930.00	£29,810.00
	2.0TDI 114PS**	£24,455.00	£29,346.00	£25,430.00	£30,438.00
	2.0TDI 140PS	£25,430.00	£30,516.00	£26,545.00	£31,748.00
	2.0TDI 140PS DSG	£27,010.00	£32,412.00	£28,270.00	£33,789.00
Transporter shuttle SE					
Short wheelbase					
T30	2.0TDI 102PS***	£24,390.00	£29,268.00	£25,505.00	£30,500.00
	2.0TDI 114PS**	£25,030.00	£30,036.00	£26,005.00	£31,128.00
	2.0TDI 140PS	£26,005.00	£31,206.00	£27,120.00	£32,438.00
	2.0TDI 140PS DSG	£27,585.00	£33,102.00	£28,845.00	£34,479.00
	2.0TDI 140PS 4MOTION®	£28,235.00	£33,882.00	£29,495.00	£35,259.00
	2.0BiTDI 180PS	£27,705.00	£33,246.00	£28,965.00	£34,623.00
	2.0BiTDI 180PS DSG	£29,285.00	£35,142.00	£30,545.00	£36,519.00
	2.0BiTDI 180PS 4MOTION®	£29,935.00	£35,922.00	£31,195.00	£37,299.00
	2.0BiTDI 180PS DSG 4MOTION®	£31,515.00	£37,818.00	£32,995.00	£39,415.00
	Long wheelbase				
T30	2.0TDI 102PS***	£25,090.00	£30,108.00	£26,205.00	£31,340.00
	2.0TDI 114PS**	£25,730.00	£30,876.00	£26,705.00	£31,968.00
	2.0TDI 140PS	£26,705.00	£32,046.00	£27,820.00	£33,278.00
	2.0TDI 140PS DSG	£28,285.00	£33,942.00	£29,545.00	£35,319.00
	2.0TDI 140PS 4MOTION®	£28,935.00	£34,722.00	£30,195.00	£36,099.00
	2.0BiTDI 180PS	£28,045.00	£34,086.00	£29,665.00	£35,463.00
	2.0BiTDI 180PS DSG	£29,985.00	£35,982.00	£31,245.00	£37,359.00
T32	2.0BiTDI 180PS 4MOTION®	£30,635.00	£36,762.00	£31,895.00	£38,139.00
	2.0BiTDI 180PS DSG 4MOTION®	£32,215.00	£38,658.00	£33,695.00	£40,255.00

** Includes BlueMotion Technology as standard

*** BlueMotion Technology can be added to any model in the Transporter range except for those with a 2.0TDI 102PS engine
For a full description of BlueMotion Technology and additional price, see p22



Transporter shuttle S and SE: **BlueMotion Technology**



Add the BlueMotion Technology price to the price of your Transporter shuttle

BlueMotion Technology price	
Basic (ex VAT)	£335.00
Total RRP (inc VAT)	£402.00

Please note: The 114PS engine includes BlueMotion Technology as standard, and therefore incurs no additional charge. BlueMotion Technology is not available on models with a 102PS engine

BlueMotion Technology pack

Technology that dramatically improves the fuel efficiency and lowers the emissions of your van, cutting your fuel bills and your impact on the environment. It can be added to most Transporter models.



Start/stop

By cutting the engine, start/stop helps you to save fuel in slow traffic and at traffic lights. When you're ready to get going again the engine restarts automatically.



Low rolling-resistance tyres

Tyres with low rolling-resistance ensure that the engine doesn't have to work as hard to get your van moving – and keep it moving. It all helps to save fuel and reduce emissions.



Cruise control

By keeping your vehicle at a constant speed for long stretches of open road, cruise control saves fuel that would normally be wasted when your speed fluctuates.



Energy recuperation

Uses the energy created when you brake to run the alternator and charge the battery. That means the engine has to do less work at other times.



BlueMotion Technology badge

By carrying the BlueMotion Technology badge, you're showing that your business chooses vehicles that keep their impact on the environment to a minimum.



Options

Get the best from your Transporter with our quality options

Paint

You want your vehicle – and your business – to make an impression. The most striking way to do that is to opt for a distinctive paint finish

					Transporter window van		Transporter shuttle S		Transporter shuttle SE	
					Basic (ex VAT)	Total RRP (inc VAT)	Basic (ex VAT)	Total RRP (inc VAT)	Basic (ex VAT)	Total RRP (inc VAT)
Standard A great range of colours, available at no extra cost*	Candy White B4B4	Pure Grey J2J2	Sunny Yellow† M9M9	Bright Orange E3E3	○	○	○	○	○	○
	India Blue F3F3	Ontario Green V7V7	Salsa Red 4Y4Y							
Optional paints If you're after something a bit more particular**	Black 9000	Stone Blue 9544	Grey White 9904	Danish Blue 9506	£300.00	£360.00	£300.00	£360.00	–	–
Metallic paints Mark your vehicle out from the competition with a smart metallic paint finish	Toffee Brown† 4Q4Q	Reflex Silver 8E8E	Natural Grey M4M4	Night Blue Z2Z2	£500.00	£600.00	£500.00	£600.00	£500.00	£600.00
	Sand Beige† P8P8	Olympia Blue S6S6	Blackberry† C0C0							
Pearlescent paints Tiny flecks of material in the paint reflect light, giving your vehicle a unique look	Dark Wood† P3P3	Deep Black† 2T2T			£500.00	£600.00	£500.00	£600.00	£500.00	£600.00

* Standard paints: Transporter Shuttle SE is only available in Candy White (B4B4) and Salsa Red (4Y4Y)

** Optional paints: Transporter Shuttle S is only available in Black (9000)

† Not with medium and high roof

Options: Alloy wheels and tyres

Complete your vehicle's sleek, sharp look with a set of stylish alloy wheels*

	Transporter window van		Transporter shuttle S		Transporter shuttle SE	
	Basic (ex VAT)	Total RRP (inc VAT)	Basic (ex VAT)	Total RRP (inc VAT)	Basic (ex VAT)	Total RRP (inc VAT)
16" Colmar Set of four 6.5J x 16 alloys with 215/65 R16 tyres Not available with 180PS engines						
	£620.00	£744.00	£620.00	£744.00	£620.00	£744.00
16" Miyato Set of four 6.5J x 16 alloys with 215/65 R16 tyres Not available with 180PS engines or all-weather tyres						
	£520.00	£624.00	£520.00	£624.00	£520.00	£624.00
17" Thunder Set of four 6.5J x 17 alloys with 235/55 R17 tyres						
	£980.00 £980.00	£1,176.00 £1,176.00	£980.00 £980.00	£1,176.00 £1,176.00	£980.00 £980.00	£1,176.00 £1,176.00
17" Cascavel (Silver) Set of four 7J x 17 alloys with 235/55 R17 tyres						
	£1,080.00 –	£1,296.00 –	– –	– –	£1,080.00 £1,080.00	£1,296.00 £1,296.00
17" Timaru Only with all-weather or low rolling resistance tyres						
	£1,080.00 £1,080.00	£1,296.00 £1,296.00	£1,080.00 £1,080.00	£1,296.00 £1,296.00	£1,080.00 £1,080.00	£1,296.00 £1,296.00
18" Canberra Set of four 8J x 18 alloys with 255/45 R18 tyres (only in combination with tyre repair kit in lieu of spare wheel and tool kit. For BlueMotion Technology models, rolling resistance 255/45 R18 tyres)						
	£1,980.00 –	£2,376.00 –	– –	– –	£1,980.00 £1,980.00	£2,376.00 £2,376.00
All-weather tyres 84PS, 102PS, 114PS: 215/65 R16 (not with Thunder alloys) 140PS: 215/65 R16 (not with alloy wheels) 180PS: 235/55 R17 (not with Thunder or Canberra alloys)						
	£205.00 £205.00 £105.00	£246.00 £246.00 £126.00	£205.00 £205.00 £105.00	£246.00 £246.00 £126.00	£205.00 £205.00 £105.00	£246.00 £246.00 £126.00
Tyres Set of four 215/65 R16C 106/104 T (not with BlueMotion Technology)						
	–	–	£120.00	£144.00	£120.00	£144.00

* Alloy wheels are not available on T32 Transporter shuttle and window van

† Not available with BlueMotion Technology



Keep your alloys in perfect condition

Brake dust is full of abrasive and corrosive metal and carbon particles, so clean your alloys every couple of weeks with a specialist brush and cleaning fluid, then coat them with a wax protector. You can buy these at your local Van Centre.

Add Ons
Accessories to help keep your vehicle 100% Volkswagen

If you want even more choice for alloy wheels, check out our Add Ons accessories range. Ask your local Van Centre for a brochure, call 0800 717131 or download a copy at www.volkswagen-vans.co.uk

Options: Audio, phone and satellite-navigation

Choose from a range of entertainment systems for great music on the go, or opt for one of our touch-screen satellite-navigation systems

			Transporter window van		Transporter shuttle S		Transporter shuttle SE		
			Basic (ex VAT)	Total RRP (inc VAT)	Basic (ex VAT)	Total RRP (inc VAT)	Basic (ex VAT)	Total RRP (inc VAT)	
Audio									
RCD 210	A great basic system for music on the go. Listen to the AM/FM radio or play your own music on the single CD player	<ul style="list-style-type: none"> Two speakers (Transporter window van) Four speakers (Transporter shuttle) FM/AM radio Single CD player 	S	S	S	S	S	S	
RCD 310	This radio includes extra speakers, an aux-in for external devices	<ul style="list-style-type: none"> Four speakers (Transporter window van) Eight speakers (Transporter shuttle) FM/AM radio Single CD player MP3-file compatible Aux-in for external devices 	£80.00	£96.00	£80.00	£96.00	£80.00	£96.00	
RCD 310 with DAB+	The addition of DAB (Digital Audio Broadcast) offers more stations, a clearer signal and information about what's playing. (Not compatible with CD changer)		£245.00	£294.00	£245.00	£294.00	£245.00	£294.00	
Phone									
Bluetooth connectivity	Includes multi-function display								
Premium Bluetooth® requires radio upgrade and leather covered steering wheel with multi-function display and controls for radio and mobile phone. (Standard connectivity is available with or without satellite navigation RNS315)			Standard	£235.00	£282.00	£235.00	£282.00	£235.00	£282.00
			Premium	£425.00	£510.00	£425.00	£510.00	£425.00	£510.00

			Transporter window van		Transporter shuttle S		Transporter shuttle SE	
			Basic (ex VAT)	Total RRP (inc VAT)	Basic (ex VAT)	Total RRP (inc VAT)	Basic (ex VAT)	Total RRP (inc VAT)
Satellite-navigation								
RNS 315	A great sat-nav to help you get where you're going efficiently. It includes RDS (Radio Data System) for live traffic updates Note: requires radio upgrade	<ul style="list-style-type: none"> 5" colour touch-screen 6GB flash memory Four speakers (Transporter window van) Eight speakers (Transporter shuttle) FM/AM radio with RDS Single CD player Aux-in for external devices SD card reader 	£565.00	£678.00	£565.00	£678.00	£495.00	£594.00
RNS 510	This sat-nav system has voice control and a 6.5" colour touch-screen for easy use	<ul style="list-style-type: none"> 6.5" colour touch-screen Voice control 30GB hard drive Four speakers (Transporter window van) Eight speakers (Transporter shuttle) FM/AM radio with RDS Single CD/DVD player Aux-in and SD card reader 	£1,865.00	£2,238.00	£1,865.00	£2,238.00	£1,865.00	£2,238.00
RNS 510 with DAB+	The addition of DAB (Digital Audio Broadcast) means more stations, a clearer signal and information about what's playing		£1,920.00	£2,304.00	£1,920.00	£2,304.00	£1,920.00	£2,304.00
Other audio options								
CD changer	This six-disc player allows you to quickly select and enjoy your favourite tunes		-	-	£285.00	£342.00	£285.00	£342.00
Not compatible with radio upgrade RCD310 with DAB+, or with dual passenger seat								
TV reception	Tune-in when you're out and about		£1,010.00	£1,212.00	£1,010.00	£1,212.00	£1,010.00	£1,212.00
Only with RNS 510 and electric folding mirrors. Not compatible with dual passenger seat								

Options: Body, chassis and windows

Tailor your Transporter for the demands of your job with roof packs, rear and side door options, towbars and roof rails

	Transporter window van		Transporter shuttle S		Transporter shuttle SE	
	Basic (ex VAT)	Total RRP (inc VAT)	Basic (ex VAT)	Total RRP (inc VAT)	Basic (ex VAT)	Total RRP (inc VAT)
Body-coloured bumpers and styling						
Body-coloured bumpers * Please confirm colour availability of body-coloured options with your Van Centre	£440.00	£528.00	–	–	S	S
Body-coloured protective side mouldings Short wheelbase only	–	–	£155.00	£186.00	£155.00	£186.00
Chrome package Short-wheelbase only	–	–	–	–	£555.00	£666.00
Exterior package Black mirror housings and door handles, fog lights with cornering function, and clear glass halogen headlights. Not with xenon headlights or rear wing doors	£325.00	£390.00	–	–	–	–
Roof options						
Medium roof * Not with sunroof, alarm with interior monitoring, or roof load rack preparation	White	£445.00	£534.00	–	–	–
	Body-coloured	£545.00	£654.00	–	–	–
High roof – no back windows * Includes high rear wing doors without windows. Not with sunroof, alarm with interior monitoring, roof load rack preparation, sliding side door on driver side, or DSG/4MOTION®	White	£760.00	£912.00	–	–	–
	Body-coloured	£990.00	£1,188.00	–	–	–
High roof * Includes high rear wing doors with heated windows. Removes wash/wipe. Not with sunroof, alarm with interior monitoring, roof rack preparation, sliding side door on driver side, or DSG/4MOTION®	White	£870.00	£1,044.00	–	–	–
	Body-coloured	£990.00	£1,188.00	–	–	–

* Please confirm colour availability of body-coloured options with your Van Centre



Check your roof height

Roof packs are great for adding load height and volume to your window van, but make sure they suit where you work. Height restrictions in city-centre car parks could be as low as 1.8m. Check your van's height in the data section on pages 48-57.

– not available S standard O no-cost option

	Transporter window van		Transporter shuttle S		Transporter shuttle SE	
	Basic (ex VAT)	Total RRP (inc VAT)	Basic (ex VAT)	Total RRP (inc VAT)	Basic (ex VAT)	Total RRP (inc VAT)
Side doors						
Sliding side door, driver-side only No passenger-side sliding door. Not with rear seating for five or six, or sunroof	O	O	–	–	–	–
Sliding side doors, both sides Not with high roof	£445.00	£534.00	S	S	S	S
Power-latching sliding side door, driver-side only Only with air-conditioning.	£335.00	£402.00	–	–	–	–
Power-latching sliding side doors, both sides On shuttle: only with air-conditioning front and rear, or air-conditioning with rear heater; not with air-conditioning cab only, alarm, high roof, or tyre pressure warning light	£625.00	£750.00	£175.00	£210.00	£175.00	£210.00
Electric sliding side door, passenger side Only with air-conditioning.	£335.00	£402.00	–	–	–	–
Electric sliding side doors, both sides Only with air-conditioning and two folding keys, one rigid key. On window van: moves the dual seat to behind the passenger and removes the single seat	£1,115.00	£1,338.00	£650.00	£780.00	£650.00	£780.00
Rear doors						
Rear wing doors, with windows On shuttle: not with tailgate power latching On window van: included if you are adding a high roof (with back windows)	£165.00	£198.00	£165.00	£198.00	£235.00	£282.00
Rear wing doors, without windows Included if you are adding a high roof	£55.00	£66.00	–	–	–	–
Tailgate without window Not compatible with high roofs	O	O	–	–	–	–
Tailgate with power latching Not with rear door options	£95.00	£114.00	£95.00	£114.00	£95.00	£114.00



Fit an extra side door

The Transporter window van comes with a sliding door on the passenger side as standard. Fitting a side door on the driver side gives you safe access however you park. The Transporter shuttle comes with sliding doors on both sides.



Choose rear doors

Transporter window van and shuttle models come with a tailgate with a heated rear window with wash/wipe as standard. You can change this to other tailgate and wing door options.

Options: Body, chassis and windows (cont.)

	Transporter window van		Transporter shuttle S		Transporter shuttle SE	
	Basic (ex VAT)	Total RRP (inc VAT)	Basic (ex VAT)	Total RRP (inc VAT)	Basic (ex VAT)	Total RRP (inc VAT)
Windows						
Privacy glass with heat insulation Green glass in the cab; dark-tinted in the passenger compartment	£250.00	£300.00	£250.00	£300.00	£250.00	£300.00
Sliding window in sliding doors For left or right. With fixed rear windows	£155.00	£186.00	£155.00	£186.00	£155.00	£186.00
Laminated glass Includes privacy glass and laminated windscreen for improved noise dampening, and auto-dimming rear-view mirror and rain sensor. Not with privacy glass or auto-dimming rear-view mirror	–	–	–	–	£410.00	£492.00
Towing						
Towbar preparation	£165.00	£198.00	£165.00	£198.00	£165.00	£198.00
Fixed ball with 13-pin socket An adapter is available from Van Centres to allow connection to twin seven-pin sockets. Only one front towing eye with towbars	£380.00	£456.00	£380.00	£456.00	£380.00	£456.00
Removable ball with 13-pin socket An adapter is available from Van Centres to allow connection to twin seven-pin sockets. Only one front towing eye with towbars	£475.00	£570.00	£475.00	£570.00	£475.00	£570.00



Useful towing tips

1. Watch your weight

Make sure your trailer doesn't exceed your vehicle's maximum towing limit or its gross train weight. You'll find these in your handbook.

2. Load well, stay stable

Put heavy items low down over the trailer axle. Ensure the trailer has a slightly nose-down attitude, but that it doesn't exceed the vehicle or trailer's nose weight limit.

3. Check your tyres

Your tyres may need to be inflated to a greater pressure to cope with the extra load. Check your vehicle's handbook.

	Transporter window van		Transporter shuttle S		Transporter shuttle SE		
	Basic (ex VAT)	Total RRP (inc VAT)	Basic (ex VAT)	Total RRP (inc VAT)	Basic (ex VAT)	Total RRP (inc VAT)	
Suspension							
Lowered suspension Short-wheelbase only	–	–	£80.00	£96.00	–	–	
Reinforced rear suspension On 84PS, 102PS, 114PS, 140PS only with alloy wheels. Not with T32 models	£120.00	£144.00	–	–	–	–	
Other body and chassis options							
Differential lock Only with 4MOTION®	£465.00	£558.00	–	–	£465.00	£558.00	
Mud flaps – front and rear	£100.00	£120.00	£100.00	£120.00	£100.00	£120.00	
Roof load rack preparation Not with medium or high roofs	£80.00	£96.00	£80.00	£96.00	£80.00	£96.00	
Bulkhead High, without opening	£170.00	£204.00	–	–	–	–	
Rubber load floor cover Step light deleted	○	○	–	–	–	–	
Wooden load floor cover							
			Short wheelbase	£90.00	£108.00	–	–
			Long wheelbase	£120.00	£144.00	–	–
Load-lashing rings – deleted Not with rear seating. Only with rubber load floor cover	○	○	–	–	–	–	

Add Ons
Accessories to help keep your vehicle 100% Volkswagen

If you want even more choice for body and chassis upgrades, including lots of towing and roof-rack solutions, check out our Add Ons accessories range. Ask your Van Centre for a brochure, call 0800 717131 or download a copy at www.volkswagen-vans.co.uk

Options: Comfort and convenience

From cruise control to a multi-function steering wheel, there's a range of features to make driving more comfortable

	Transporter window van		Transporter shuttle S		Transporter shuttle SE	
	Basic (ex VAT)	Total RRP (inc VAT)	Basic (ex VAT)	Total RRP (inc VAT)	Basic (ex VAT)	Total RRP (inc VAT)
Electrically heated, adjustable and folding door mirrors	Black Body-coloured	£110.00 £220.00	£110.00 -	£132.00 -	£110.00 -	£132.00 -
Cruise control Included as standard on BlueMotion Technology models		£180.00	£180.00	£216.00	£180.00	£216.00
Xenon headlights With LED daytime running lights, including headlamp washer system with heated washer jets and washer fluid level indicator		£1,060.00	£1,060.00	£1,272.00	£1,010.00	£1,212.00
Headlight washer system Fluid-level indicator and heated washer jets (S models only)		£180.00	£180.00	£216.00	£180.00	£216.00
Rain sensor and automatic dimming rear-view mirror Includes 'leaving/coming home' function		£195.00	£195.00	£234.00	£195.00	£234.00
Leather-covered steering wheel, gear knob and gaiter		£130.00	£130.00	£156.00	£130.00	£156.00
Leather-covered multi-function steering wheel, with leather gear knob and gaiter Includes display and controls for radio and mobile phone. Only with trip computer		£295.00	£295.00	£354.00	£295.00	£354.00
Servotronic speed-dependent, power-assisted steering		£355.00	£355.00	£426.00	£355.00	£426.00
Sunroof – front, electric, glass Window van: not compatible with roof ventilation/extraction, medium or high roofs, or sliding door driver-side only. Shuttle: Only with Climatic; not with Climatronic air-conditioning		£490.00	£490.00	£588.00	£490.00	£588.00
Comfort pack Includes sun visors for driver and passenger with vanity mirror, folding grab handles and storage trays on the cab seats, reading light, glasses compartment, vent on the B-pillar, grab handle as an entry aid on the A-pillar on driver and passenger side, dimmable dashboard and two-tone horn		£160.00	-	-	-	-
Smoking pack Ashtray, cigarette lighter and cup holder		£20.00	-	-	-	-



Choose cruise control

Cruise control can help reduce the fatigue and stress of sticking to speed limits on long journeys. It also helps reduce the amount of fuel you use by cutting out the acceleration and braking used to keep up with road speed.

Options: Heating and ventilation

Keep control of the temperature in your vehicle with our heating and air-conditioning options

	Transporter window van		Transporter shuttle S		Transporter shuttle SE	
	Basic (ex VAT)	Total RRP (inc VAT)	Basic (ex VAT)	Total RRP (inc VAT)	Basic (ex VAT)	Total RRP (inc VAT)
Air-conditioning						
Climatic – cab only Not with rear heater or rear seating for five or six	£790.00	£948.00	-	-	-	-
Climatic – front only Window van includes rear heater. Shuttle S includes rear roof vents	£1,215.00	£1,458.00	£920.00	£1,104.00	S	S
Climatic – front and rear with rear roof vents Includes rear heater and rear roof vents. Not with uprated alternator, roof ventilation/extraction, sunroof or roof packs	£1,480.00	£1,776.00	-	-	-	-
Climatronic three-zone air-conditioning	-	-	£1,160.00	£1,392.00	£730.00	£876.00
Heating						
Rear heater Not with Climatic – cab only	£170.00	£204.00	-	-	-	-
Programmable parking heater with auxiliary heater Auxiliary heater combined with supplementary air heater, which enables the vehicle air to be fully heated when parked and supports the engine to heat the vehicle in cold conditions when driving. Controlled via the roof-mounted operating display (switch-on time, day of week, temperature). Heat is guided into the vehicle via separate vents in the B-pillars. Includes second battery with cut-off relay	£1,775.00	£2,130.00	£1,775.00	£2,130.00	£1,775.00	£2,130.00
Programmable parking heater with auxiliary heater and remote As above, but adds radio remote control (on/off)	£2,000.00	£2,400.00	£2,000.00	£2,400.00	£2,000.00	£2,400.00
Other heating and ventilation options						
Charcoal canister For ventilation system	£20.00	£24.00	£20.00	£24.00	£20.00	£24.00
Roof ventilation/extraction – rear compartment Not with interior monitoring alarm, sunroof, or tyre pressure warning light	£335.00	£402.00	-	-	-	-

Options: Seating, trim and upholstery

	Transporter window van		Transporter shuttle S		Transporter shuttle SE	
	Basic (ex VAT)	Total RRP (inc VAT)	Basic (ex VAT)	Total RRP (inc VAT)	Basic (ex VAT)	Total RRP (inc VAT)
Driver and front passenger seats						
Heated driver and front passenger seats <small>On shuttle S models only with air conditioning</small>	£230.00	£276.00	£230.00	£276.00	£230.00	£276.00
Swivelling driver and single front passenger seats <small>Not with electric four-way lumbar support or dual passenger seat</small>	£330.00	£396.00	£260.00	£312.00	£260.00	£312.00
Dual front passenger seat <small>Not with side and front curtain airbags, heated or swivelling seats, or shuttle SE long-wheelbase 4MOTION® models. Long wheelbase requires tyre repair kit in lieu of spare wheel</small>	£190.00	£228.00	£190.00	£228.00	£190.00	£228.00
Dual front passenger seat with fold-down tray in the backrest <small>Not with side and front curtain airbags, armrests, or lumbar support for single front passenger seat or heated seats</small>	£260.00	£312.00	-	-	-	-
Armrests for driver's seat <small>Not with swivelling seats</small>	£55.00	£66.00	-	-	-	-
Height adjustment and lumbar support for driver and single passenger seats <small>Not with swivelling seats</small>	£70.00	£84.00	S	S	S	S
Electric four-way lumbar support for driver seat <small>Only with dual passenger seat</small>	£125.00	£150.00	-	-	-	-
Electric four-way lumbar support for driver and single front passenger seats <small>Not with swivelling seats</small>	£215.00	£258.00	£215.00	£258.00	£215.00	£258.00

	Transporter window van		Transporter shuttle S		Transporter shuttle SE	
	Basic (ex VAT)	Total RRP (inc VAT)	Basic (ex VAT)	Total RRP (inc VAT)	Basic (ex VAT)	Total RRP (inc VAT)
Rear passenger seating						
Four-seater package – 2-2-0*	£310.00	£372.00	-	-	-	-
Five-seater package – 3-2-0 or 2-3-0*	£465.00	£558.00	-	-	-	-
Five-seater package – 2-3-0*	£535.00	£642.00	-	-	-	-
Six-seater package – 3-3-0*	£685.00	£822.00	-	-	-	-
Six-seater package – 3-3-0*	£625.00	£750.00	-	-	-	-
Six-seater package – 2-2-2* <small>Long-wheelbase only</small>	£615.00	£738.00	-	-	-	-
Seven-seater package – 3-2-2* <small>Long-wheelbase only</small>	£765.00	£918.00	-	-	-	-
Seven-seater package – 2-2-3*	£770.00	£924.00	-	-	-	-
Seven-seater package – 2-3-2* <small>Long-wheelbase only</small>	£835.00	£1,002.00	-	-	-	-
Eight-seater package – 3-2-3*	£925.00	£1,110.00	-	-	-	-
Eight-seater package – 2-3-3 or 3-3-2* <small>Long-wheelbase only</small>	£995.00	£1,194.00	-	-	-	-
Nine-seater package – 2-2-2-3* <small>Long-wheelbase only</small>	£1,080.00	£1,296.00	-	-	-	-
Nine-seater package – 3-3-3* <small>Not on T30 4MOTION®</small>	£1,160.00	£1,392.00	-	-	-	-
Rear seating for six <small>3-3 layout, dual seat left, single seat right in first row</small>	-	-	O	O	-	-

Options: Seating, trim and upholstery (cont.)

	Transporter window van		Transporter shuttle S		Transporter shuttle SE	
	Basic (ex VAT)	Total RRP (inc VAT)	Basic (ex VAT)	Total RRP (inc VAT)	Basic (ex VAT)	Total RRP (inc VAT)
Rear passenger seating (cont.)						
Passenger preparation	£395.00	£474.00	-	-	-	-
Attachment points for two-seat bench Includes left seatbelt (second row). Only with long wheelbase, air conditioning and/or rear heater	£55.00	£66.00	-	-	-	-
Modular seat mounting system for three-seat bench Only with air conditioning and/or rear heater and left and right side sliding doors	£125.00	£150.00	-	-	-	-
Rear seating for six 3-3 layout, dual seat left, single seat right in first row	-	-	○	○	-	-
Deletion of first or second rear row of seats Not with side, front and rear curtain airbags	-	-	-£240.00	-£288.00	-£240.00	-£288.00
Deletion of all rear seating Not with side, front and rear curtain airbags	-	-	-£480.00	-£576.00	-£480.00	-£576.00
Floor coverings						
Carpet floor covering in cab Not on 4MOTION®	£60.00	£72.00	-	-	-	-
Rubber floor covering in cab and passenger compartment In lieu of carpet floor covering	-	-	-	-	○	○
Deletion of load lashing rings (Only with load floor cover – rubber with step light deleted, not with rear seating)	○	○	-	-	-	-

	Transporter window van		Transporter shuttle S		Transporter shuttle SE	
	Basic (ex VAT)	Total RRP (inc VAT)	Basic (ex VAT)	Total RRP (inc VAT)	Basic (ex VAT)	Total RRP (inc VAT)
Upholstery						
Austin cloth						
			S	S	-	-
					-	-
Timo cloth						
			-	-	-	-
					S	S
Leatherette (RD)						
			£30.00	£36.00	£30.00	£36.00
					£30.00	£36.00
Tasamo cloth (RE)						
			£70.00	£84.00	S	S
					-	-
Robust cloth (RD) Driver and front passenger seats are in Robust upholstery, rear seats are leatherette.						
			£90.00	£108.00	-	-
					-	-
Nappa leather * SE models only. Only with heated front seats; not with dual passenger seat Anthracite (ZH) Classic Grey (ZJ) Date Brown (ME) Desert Beige (MD) * Seat material in contact with passengers is leather. All other areas are leatherette						
			-	-	-	-
					£1,810.00	£2,172.00



Pick the right upholstery

Fabric upholstery is terrifically hard-wearing, while leatherette upholstery is great for quick and easy cleaning.

Options: Safety and security

Parking sensors, airbag packs and sophisticated alarms that enhance the safety of you, your vehicle and its contents

	Transporter window van		Transporter shuttle S		Transporter shuttle SE	
	Basic (ex VAT)	Total RRP (inc VAT)	Basic (ex VAT)	Total RRP (inc VAT)	Basic (ex VAT)	Total RRP (inc VAT)
Airbags						
Side and front curtain airbags Not with dual front passenger seat	£255.00	£306.00	£255.00	£306.00	£255.00	£306.00
Side, front and rear curtain airbags Not with dual front passenger seat or long wheelbase	-	-	£505.00	£606.00	£505.00	£606.00
Front passenger airbags – deleted	○	○	-	-	-	-
Alarms and keys						
Perimeter alarm with back-up horn Includes second remote key	£140.00	£168.00	-	-	-	-
Interior alarm (cab only) and tow-away protection Includes second remote key. Not with alternator/battery uprated, medium or high roofs, or roof ventilation/extraction	£165.00	£198.00	-	-	-	-
Two folding keys and one rigid key	£10.00	£12.00	£10.00	£12.00	£10.00	£12.00
Fog lights						
Front fog lights with cornering function	£275.00	£330.00	£275.00	£330.00	£275.00	£330.00



Useful security tips

1. Get an alarm

Alarm noise may be enough to scare a thief and prevent a costly break-in.

2. Lock your doors

Even if you're away from your vehicle only for a minute, locked doors deter thieves looking for an easy target.

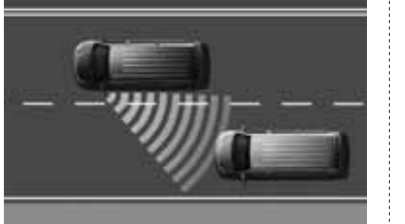
3. Keep it tidy

Seemingly trivial items can still be bait to thieves. Stow gadgets out of sight or take them with you. Thieves know to look in the glove box, too.

4. Park for visibility

Use well-lit areas. Avoid parking near vehicles or foliage that a thief could use for cover. Parking right up against walls can stop a thief getting in through your vehicle's doors.

	Transporter window van		Transporter shuttle S		Transporter shuttle SE	
	Basic (ex VAT)	Total RRP (inc VAT)	Basic (ex VAT)	Total RRP (inc VAT)	Basic (ex VAT)	Total RRP (inc VAT)
Lane Change Assist						
Lane Change Assist Includes rain sensor with auto-dimming rear view mirror, cruise control and trip computer. Only with electrically folding mirrors, not with rear wing doors on short-wheelbase models	£705.00	£846.00	£705.00	£846.00	£655.00	£786.00
Parking aids						
Parking sensors – rear	£200.00	£240.00	£200.00	£240.00	-	-
Parking sensors – front and rear	£355.00	£426.00	-	-	£355.00	£426.00
Reversing camera Only with satellite navigation	-	-	£485.00	£582.00	£485.00	£582.00
Reversing camera with rear parking sensors Only with satellite navigation	-	-	£685.00	£822.00	-	-
Reversing camera with front and rear parking sensors Only with satellite navigation	-	-	-	-	£830.00	£996.00
Tyre pressure warning light						
Tyre pressure warning light Window van: not with roof ventilation/extraction or power latching for sliding doors Not with electric sliding doors	£55.00	£66.00	£55.00	£66.00	£55.00	£66.00



Lane Change Assist

Lane Change Assist makes motorway driving safer by helping to prevent accidents when you want to change lanes. The system monitors your blind spots and warns you of a potentially hazardous situation by flashing warning lights in the exterior mirrors.

Options: Electrical

Choose these electrical features to give your Transporter a functional and practical edge

	Transporter window van		Transporter shuttle S		Transporter shuttle SE	
	Basic (ex VAT)	Total RRP (inc VAT)	Basic (ex VAT)	Total RRP (inc VAT)	Basic (ex VAT)	Total RRP (inc VAT)
Alternators and batteries						
Up-rated battery 450A/95Ah battery. Not with interior monitoring alarm or power latching for sliding side doors	£40.00	£48.00	-	-	-	-
Up-rated alternator 180A alternator. Not with air-conditioning	£70.00	£84.00	-	-	-	-
Up-rated alternator and battery 450A/95Ah battery, 180A alternator. Not with interior monitoring alarm or power latching for sliding side doors	£105.00	£126.00	-	-	-	-
Second battery Included with parking heaters	£190.00	£228.00	£190.00	£228.00	£190.00	£228.00
Additional 12V socket on dash panel	£35.00	£42.00	-	-	-	-
Other electrical options						
Digital tachograph Includes console on dash	£465.00	£558.00	£465.00	£558.00	£465.00	£558.00
Trip computer S models only, included with satellite navigation. Required with steering wheel with controls for radio and mobile phone	£235.00	£282.00	£235.00	£282.00	S	S
Electrical interface	£40.00	£48.00	£40.00	£48.00	£40.00	£48.00

Want more? Pick an Add On...

The Transporter has a wide range of factory-fit options, but you may want something extra. That's where Add Ons come in

Add Ons is the new name for our extensive range of Volkswagen-approved accessories, available to buy and be fitted at your Van Centre.

Whether you want to add extra style to your vehicle, get more out of your load space, convert a work vehicle for weekend leisure, or add extra audio, phone and sat-nav to your cab, we've got lots of Add Ons for you.

Help keep it 100% Volkswagen

There are big advantages to buying your accessories from Volkswagen. Add Ons have all been designed with Volkswagen in mind, so they're a perfect match for fit and style, and they've been designed and developed to be just as rugged, reliable and long-lasting as your vehicle.

Keep your Add Ons covered

Most Add Ons include a two-year warranty. However, if you order and fit them when you buy a new vehicle, we may be able to extend your cover to three years to match your vehicle's warranty. Pop into your Van Centre and ask our staff about how much Add Ons can add to your life.



To get a brochure, pop into a Van Centre. To find your nearest one, call 0800 717131 or visit www.volkswagen-vans.co.uk

Add Ons
Accessories to help keep your vehicle 100% Volkswagen

Top five Transporter Add Ons

- 

Kenwood DAB Multimedia*
This DAB radio and sat-nav system includes a DVD player and Bluetooth®. It's standard on the Transporter Sportline and is available as an Add On for all other models.
*Some functions only work if vehicle is stationary
- 

18" 5-Spoke Sportline Brilliant Silver alloy
Add extra style with these 8J x 18 alloys, or any of the many other alloys from our Add Ons range.
- 

Waterproof seat covers
Protects your driver and front passenger seats from wet and dirt. Not for vehicles with side airbags. Sportline version also available.
- 

Roof-bar set
Adding roof bars can boost your load capacity by 100kg. You can use them with our roof bar accessories.
- 

Polished stainless steel side bars
These rails not only look good, they also protect your van's sills from damage.

Data

All the facts and figures you'll need for your vehicle

Transporter (all models): Engines

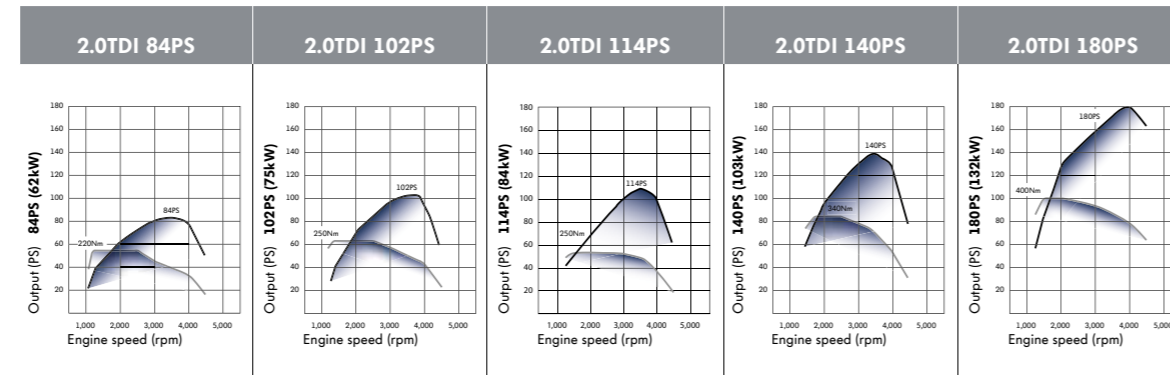
	2.0TDI 84PS	2.0TDI 102PS	2.0TDI 114PS	2.0TDI 140PS	2.0TDI 180PS
Engine specifications					
Engine type	Diesel, transverse, water-cooled, in-line, variable turbine geometry turbocharger with intercooler			Diesel, transverse, water-cooled, in-line, bi-turbo with intercooler	
Mixture preparation/injection	Common-rail, direct-injection				
EU exhaust emission standard	EURO 5				
Number of cylinders	4				
Cubic capacity	1,968cc				
Output, PS at rpm	84 at 3,500	102 at 3,500	114 at 3,500	140 at 3,500	180 at 4,000
Torque, max. Nm at rpm	220 at 1,250-2,500	250 at 1,500-2,500	250 at 1,500-2,750	340 at 1,750-2,500	400 at 1,500-2,000
Diesel Particulate Filter (DPF)	●	●	●	●	●
5-speed manual gearbox	●	●	●	-	-
6-speed manual gearbox	-	-	-	●	●
7-speed auto DSG	-	-	-	●	●
Front-wheel drive	●	●	●	●	●
4MOTION®	-	-	-	●	●

Electrics

Alternator (all variants) 110A

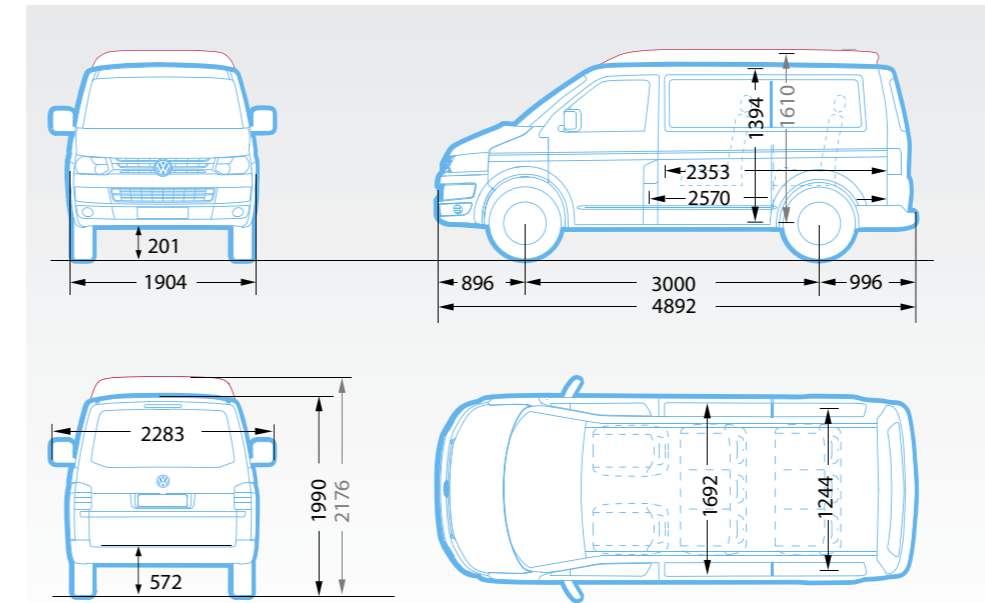
- Available
- Not available

Output (PS)
Torque (Nm)

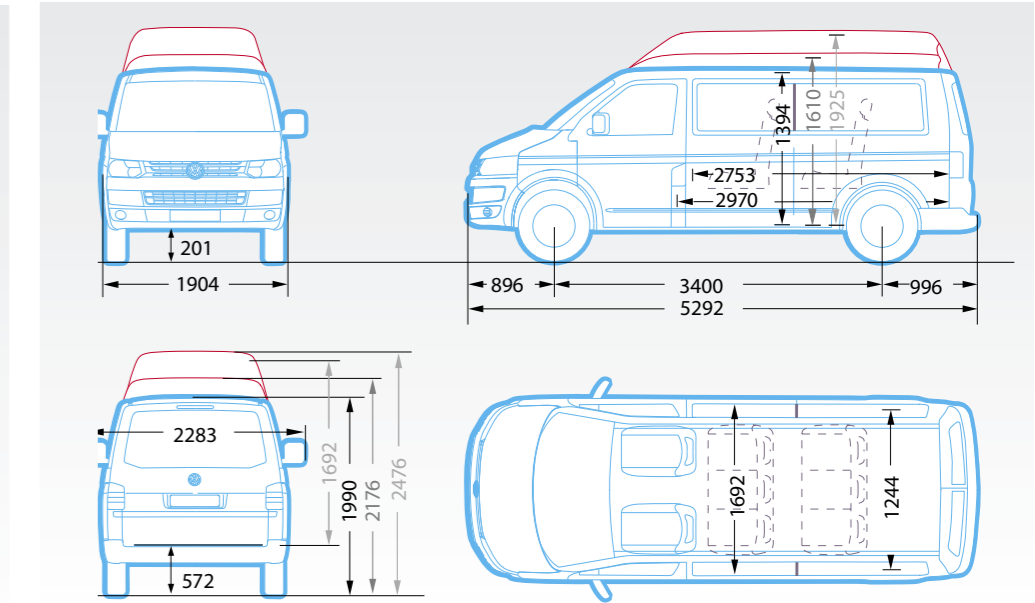


Transporter window van: Dimensions

Short wheelbase



Long wheelbase



Dimensions	Low roof	Med roof
Wheelbase	3,000	3,000
Passenger compartment		
Length	2,570	2,570
Width	1,692	1,692
Height	1,394	1,610
Area	4.3m ²	4.3m ²
Volume	5.8m ³	6.7m ³
Width (between wheel housings)	1,244	1,244
Side sliding door		
Width	1,020	1,020
Height	1,268	1,268

Dimensions	Low roof	Med roof
Tailgate		
Width	1,486	1,486
Height	1,295	1,295
Load space (seat-back to doors)		
1st rear row	1,339	1,339
2nd rear row	505	505
Turning circle (wall to wall)	11.9m	11.9m

Dimensions	Low roof	Med roof	High roof
Wheelbase	3,400	3,400	3,400
Passenger compartment			
Length	2,970	2,970	2,970
Width	1,692	1,692	1,692
Height	1,394	1,610	1,925
Area	5.0m ²	5.0m ²	5.0m ²
Volume	6.7m ³	7.8m ³	9.3m ³
Width (between wheel housings)	1,244	1,244	1,244
Side sliding door			
Width	1,020	1,020	1,020
Height	1,268	1,268	1,268

Dimensions	Low roof	Med roof	High roof
Tailgate			
Width	1,486	1,486	-
Height	1,295	1,295	-
Rear doors†			
Width	-	-	1,486
Height	-	-	1,692
Load space (seat-back to doors)			
1st rear row	1,739	1,739	1,739
2nd rear row	905	905	905
Turning circle (wall to wall)	13.2m	13.2m	13.2m

All dimensions in mm unless otherwise specified. The height measurements listed here may vary by ± 50mm depending on equipment fitted. Please note vehicle drawings are not to scale

† High roof only available with rear doors

□ Indicates optional roof height

Transporter window van: **Weights**

Model / gross vehicle weight (kg)	Engine/transmission	Axle load limit front/rear (kg)	Trailer weight braked 12%/ unbraked (kg)	Gross train weight (kg)	Unladen weight † (kg)	Payload † (kg)	
Transporter window van							
Short wheelbase							
T30	3,000	2.0TDI 84PS	1,500 / 1,600	2,200 / 750	4,800	1,976	1,024
	3,000	2.0TDI 84PS BlueMotion Technology	1,500 / 1,600	2,200 / 750	4,800	1,976	1,024
	3,000	2.0TDI 102PS	1,500 / 1,600	2,200 / 750	4,900	1,976	1,024
	3,000	2.0TDI 114PS BlueMotion Technology	1,500 / 1,600	2,200 / 750	4,900	1,976	1,024
	3,000	2.0TDI 140PS	1,550 / 1,600	2,500 / 750	5,200	1,976	1,024
	3,000	2.0TDI 140PS BlueMotion Technology	1,550 / 1,600	2,500 / 750	5,200	1,927	1,073
	3,000	2.0TDI 140PS DSG	1,550 / 1,600	2,500 / 750	5,300	1,976	1,024
	3,000	2.0TDI 140PS DSG BlueMotion Technology	1,550 / 1,600	2,500 / 750	5,300	1,944	1,056
	3,000	2.0TDI 140PS 4MOTION®	1,600 / 1,600	2,500 / 750	5,300	2,031	969
	3,000	2.0TDI 140PS 4MOTION® BlueMotion Technology	1,600 / 1,600	2,500 / 750	5,300	2,047	953
	3,000	2.0BiTDI 180PS	1,550 / 1,600	2,500 / 750	5,200	1,976	1,024
	3,000	2.0BiTDI 180PS BlueMotion Technology	1,550 / 1,600	2,500 / 750	5,200	1,957	1,043
	3,000	2.0BiTDI 180PS DSG	1,550 / 1,600	2,500 / 750	5,300	1,976	1,024
	3,000	2.0BiTDI 180PS DSG BlueMotion Technology	1,550 / 1,600	2,500 / 750	5,300	1,974	1,026
	3,000	2.0BiTDI 180PS 4MOTION®	1,600 / 1,600	2,500 / 750	5,300	2,065	935
	3,000	2.0BiTDI 180PS 4MOTION® BlueMotion Technology	1,600 / 1,600	2,500 / 750	5,300	2,078	922
	3,000	2.0BiTDI 180PS DSG 4MOTION®	1,600 / 1,600	2,500 / 750	5,300	2,084	916
	3,000	2.0BiTDI 180PS DSG 4MOTION® BlueMotion Technology	1,600 / 1,600	2,500 / 750	5,300	2,096	904
T32	3,200	2.0TDI 102PS	1,600 / 1,680	2,200 / 750	4,900	1,976	1,224
	3,200	2.0TDI 114PS BlueMotion Technology	1,600 / 1,680	2,200 / 750	4,900	1,976	1,224
	3,200	2.0TDI 140PS	1,650 / 1,680	2,500 / 750	5,200	1,976	1,224
	3,200	2.0TDI 140PS BlueMotion Technology	1,650 / 1,680	2,500 / 750	5,200	1,939	1,261
	3,200	2.0TDI 140PS DSG	1,650 / 1,680	2,500 / 750	5,300	1,976	1,224
	3,200	2.0TDI 140PS DSG BlueMotion Technology	1,650 / 1,680	2,500 / 750	5,300	1,956	1,244
	3,200	2.0TDI 140PS 4MOTION®	1,700 / 1,720	2,500 / 750	5,300	2,043	1,157
	3,200	2.0TDI 140PS 4MOTION® BlueMotion Technology	1,700 / 1,720	2,500 / 750	5,300	2,059	1,141
	3,200	2.0BiTDI 180PS	1,650 / 1,680	2,500 / 750	5,200	1,982	1,218
	3,200	2.0BiTDI 180PS BlueMotion Technology	1,650 / 1,680	2,500 / 750	5,200	1,995	1,205
	3,200	2.0BiTDI 180PS DSG	1,650 / 1,680	2,500 / 750	5,300	2,000	1,200
	3,200	2.0BiTDI 180PS DSG BlueMotion Technology	1,650 / 1,680	2,500 / 750	5,300	2,011	1,189
	3,200	2.0BiTDI 180PS 4MOTION®	1,700 / 1,720	2,500 / 750	5,300	2,103	1,097
	3,200	2.0BiTDI 180PS 4MOTION® BlueMotion Technology	1,700 / 1,720	2,500 / 750	5,300	2,116	1,084
	3,200	2.0BiTDI 180PS DSG 4MOTION®	1,700 / 1,720	2,500 / 750	5,300	2,122	1,078
	3,200	2.0BiTDI 180PS DSG 4MOTION® BlueMotion Technology	1,700 / 1,720	2,500 / 750	5,300	2,133	1,067

† Unladen weight and payload figures for Transporter window van models are calculated with 100% fuel load and no driver. The published payload figure is based on a standard-specification vehicle. It does not include any items of optional equipment. Any optional equipment will reduce the payload from the published figure. Roof load limit 100kg (with two roof carriers) or 150kg (with at least four roof carriers). Only with low roof. Trailer nose weight 100kg

Model / gross vehicle weight (kg)	Engine/transmission	Axle load limit front/rear (kg)	Trailer weight braked 12%/ unbraked (kg)	Gross train weight (kg)	Unladen weight † (kg)	Payload † (kg)	
Transporter window van							
Long wheelbase							
T30	3,000	2.0TDI 84PS	1,525 / 1,600	2,200 / 750	4,800	1,976	1,024
	3,000	2.0TDI 84PS BlueMotion Technology	1,525 / 1,600	2,200 / 750	4,800	1,976	1,024
	3,000	2.0TDI 102PS	1,625 / 1,600	2,200 / 750	4,900	1,976	1,024
	3,000	2.0TDI 114PS BlueMotion Technology	1,525 / 1,600	2,200 / 750	4,900	1,976	1,024
	3,000	2.0TDI 140PS	1,575 / 1,600	2,500 / 750	5,200	1,976	1,024
	3,000	2.0TDI 140PS BlueMotion Technology	1,575 / 1,600	2,500 / 750	5,200	1,990	1,010
	3,000	2.0TDI 140PS DSG	1,575 / 1,600	2,500 / 750	5,300	1,992	1,008
	3,000	2.0TDI 140PS DSG BlueMotion Technology	1,575 / 1,600	2,500 / 750	5,300	2,007	993
	3,000	2.0TDI 140PS 4MOTION®	1,600 / 1,600	2,500 / 750	5,300	2,094	906
	3,000	2.0TDI 140PS 4MOTION® BlueMotion Technology	1,600 / 1,600	2,500 / 750	5,300	2,110	890
	3,000	2.0BiTDI 180PS	1,575 / 1,600	2,500 / 750	5,200	2,008	992
	3,000	2.0BiTDI 180PS BlueMotion Technology	1,575 / 1,600	2,500 / 750	5,200	2,020	980
	3,000	2.0BiTDI 180PS DSG	1,575 / 1,600	2,500 / 750	5,300	2,025	975
	3,000	2.0BiTDI 180PS DSG BlueMotion Technology	1,575 / 1,600	2,500 / 750	5,300	2,037	963
	3,000	2.0BiTDI 180PS 4MOTION®	1,600 / 1,600	2,500 / 750	5,300	2,129	871
	3,000	2.0BiTDI 180PS 4MOTION® BlueMotion Technology	1,600 / 1,600	2,500 / 750	5,300	2,141	859
	3,000	2.0BiTDI 180PS DSG 4MOTION®	1,600 / 1,600	2,500 / 750	5,300	2,147	853
	3,000	2.0BiTDI 180PS DSG 4MOTION® BlueMotion Technology	1,600 / 1,600	2,500 / 750	5,300	2,159	841
T32	3,200	2.0TDI 102PS	1,625 / 1,680	2,200 / 750	4,900	1,976	1,224
	3,200	2.0TDI 114PS BlueMotion Technology	1,625 / 1,680	2,200 / 750	4,900	1,976	1,224
	3,200	2.0TDI 140PS	1,675 / 1,680	2,500 / 750	5,200	1,986	1,214
	3,200	2.0TDI 140PS BlueMotion Technology	1,675 / 1,680	2,500 / 750	5,200	2,002	1,198
	3,200	2.0TDI 140PS DSG	1,675 / 1,680	2,500 / 750	5,300	2,004	1,196
	3,200	2.0TDI 140PS DSG BlueMotion Technology	1,675 / 1,680	2,500 / 750	5,300	2,019	1,181
	3,200	2.0TDI 140PS 4MOTION®	1,700 / 1,720	2,500 / 750	5,300	2,106	1,094
	3,200	2.0TDI 140PS 4MOTION® BlueMotion Technology	1,700 / 1,720	2,500 / 750	5,300	2,122	1,078
	3,200	2.0BiTDI 180PS	1,675 / 1,680	2,500 / 750	5,200	2,045	1,155
	3,200	2.0BiTDI 180PS BlueMotion Technology	1,675 / 1,680	2,500 / 750	5,200	2,058	1,142
	3,200	2.0BiTDI 180PS DSG	1,675 / 1,680	2,500 / 750	5,300	2,063	1,137
	3,200	2.0BiTDI 180PS DSG BlueMotion Technology	1,675 / 1,680	2,500 / 750	5,300	2,074	1,126
	3,200	2.0BiTDI 180PS 4MOTION®	1,700 / 1,720	2,500 / 750	5,300	2,166	1,034
	3,200	2.0BiTDI 180PS 4MOTION® BlueMotion Technology	1,700 / 1,720	2,500 / 750	5,300	2,179	1,021
	3,200	2.0BiTDI 180PS DSG 4MOTION®	1,700 / 1,720	2,500 / 750	5,300	2,185	1,015
	3,200	2.0BiTDI 180PS DSG 4MOTION® BlueMotion Technology	1,700 / 1,720	2,500 / 750	5,300	2,196	1,004

Transporter window van: Economy and performance

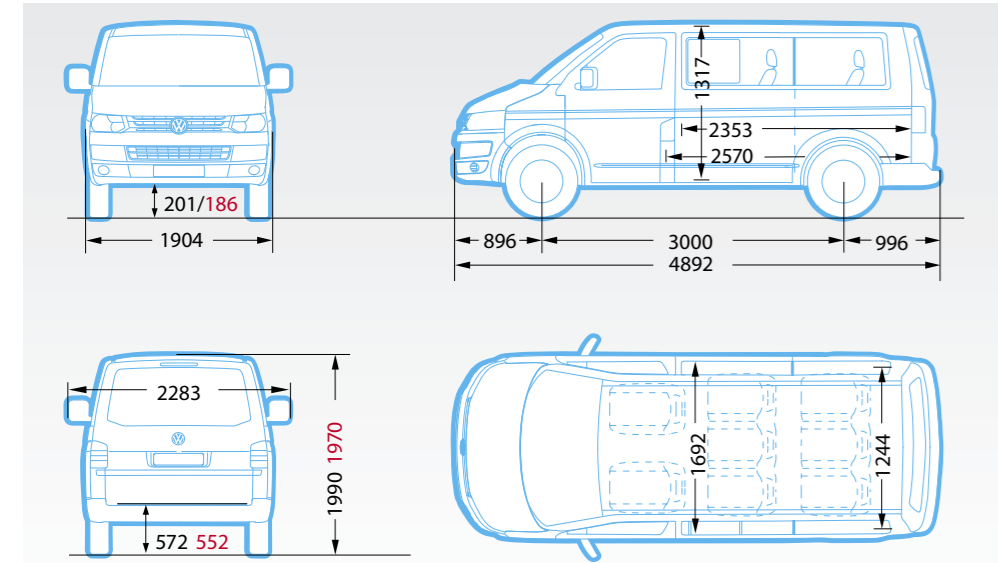
Engine/transmission	Urban mpg (l/100km) ¹	Extra-urban mpg (l/100km) ¹	Combined mpg (l/100km) ¹	Acceleration 0-62 mph (seconds)	Top speed mph (where law permits)	CO ₂ emissions (g/km)
T30 and T32 short- and long-wheelbase window van with low roof						
2.0TDI 84PS	29.7 (9.5)	46.3 (6.1)	38.7 (7.3)	21.1	91	193
2.0TDI 84PS BlueMotion Technology	33.6 (8.4)	47.9 (5.9)	41.5 (6.8)	21.1	91	179
2.0TDI 102PS	29.7 (9.5)	46.3 (6.1)	38.7 (7.3)	16.4	98	193
2.0TDI 114PS BlueMotion Technology	33.6 (8.4)	47.9 (5.9)	41.5 (6.8)	15.9	101	179
2.0TDI 140PS	29.4 (9.6)	44.8 (6.3)	37.7 (7.5)	13.1	107	198
2.0TDI 140PS BlueMotion Technology	31.7 (8.9)	47.9 (5.9)	40.4 (7.0)	13.1	107	184
2.0TDI 140PS DSG	27.7 (10.2)	42.2 (6.7)	35.3 (8.0)	13.0	107	211
2.0TDI 140PS DSG BlueMotion Technology	30.4 (9.3)	43.5 (6.5)	37.7 (7.5)	13.0	107	198
2.0TDI 140PS 4MOTION®	27.7 (10.2)	40.9 (6.9)	34.9 (8.1)	13.6	106	214
2.0TDI 140PS 4MOTION® BlueMotion Technology	29.4 (9.6)	43.5 (6.5)	37.2 (7.6)	13.6	106	199
2.0BiTDI 180PS	29.4 (9.6)	43.5 (6.5)	37.2 (7.6)	10.3	119	199
2.0BiTDI 180PS BlueMotion Technology	32.5 (8.7)	45.6 (6.2)	39.8 (7.1)	10.3	119	187
2.0BiTDI 180PS DSG	28.2 (10.0)	42.2 (6.7)	35.8 (7.9)	10.2	119	208
2.0BiTDI 180PS DSG BlueMotion Technology	32.1 (8.8)	40.9 (6.9)	37.2 (7.6)	10.2	119	188
2.0BiTDI 180PS 4MOTION®	27.4 (10.3)	40.4 (7.0)	34.4 (8.2)	10.6	117	216
2.0BiTDI 180PS 4MOTION® BlueMotion Technology	31.1 (9.4)	42.2 (6.7)	36.7 (7.7)	10.6	117	203
2.0BiTDI 180PS DSG 4MOTION®	25.9 (10.9)	38.7 (7.3)	32.8 (8.6)	10.8	117	226
2.0BiTDI 180PS DSG 4MOTION® BlueMotion Technology	29.1 (9.7)	37.7 (7.5)	34.0 (8.3)	10.8	117	219
T30 and T32 long-wheelbase window van with high roof						
2.0TDI 84PS	29.4 (9.6)	42.2 (6.7)	36.7 (7.7)	21.7	85	203
2.0TDI 84PS BlueMotion Technology	33.2 (8.5)	43.5 (6.5)	39.2 (7.2)	21.7	85	190
2.0TDI 102PS	29.4 (9.6)	42.2 (6.7)	36.7 (7.7)	16.6	90	203
2.0TDI 114PS BlueMotion Technology	33.2 (8.5)	43.5 (6.5)	39.2 (7.2)	16.1	94	190
2.0TDI 140PS	28.2 (10.0)	42.2 (6.7)	35.8 (7.9)	13.4	100	208
2.0TDI 140PS BlueMotion Technology	31.0 (9.1)	43.5 (6.5)	38.2 (7.4)	13.4	100	195
2.0TDI 140PS DSG	27.7 (10.2)	39.2 (7.2)	34.0 (8.3)	13.3	99	219
2.0TDI 140PS DSG BlueMotion Technology	30.4 (9.3)	40.4 (7.0)	36.2 (7.8)	13.3	99	206
2.0TDI 140PS 4MOTION®	27.7 (10.2)	38.7 (7.3)	33.6 (8.4)	14.1	98	221
2.0TDI 140PS 4MOTION® BlueMotion Technology	29.1 (9.7)	40.9 (6.9)	35.8 (7.9)	14.1	98	208
2.0BiTDI 180PS	29.4 (9.6)	40.9 (6.9)	35.8 (7.9)	10.7	109	208
2.0BiTDI 180PS BlueMotion Technology	32.5 (8.7)	42.2 (6.7)	38.2 (7.4)	10.7	109	195
2.0BiTDI 180PS DSG	28.2 (10.0)	39.8 (7.1)	34.4 (8.2)	10.6	109	216
2.0BiTDI 180PS DSG BlueMotion Technology	32.8 (8.6)	39.8 (7.1)	36.7 (7.7)	10.6	109	203
2.0BiTDI 180PS 4MOTION®	27.4 (10.3)	38.2 (7.4)	33.2 (8.5)	11.0	108	224
2.0BiTDI 180PS 4MOTION® BlueMotion Technology	33.6 (9.4)	39.2 (7.2)	35.3 (8.0)	11.0	108	211

Engine/transmission	Urban mpg (l/100km) ¹	Extra-urban mpg (l/100km) ¹	Combined mpg (l/100km) ¹	Acceleration 0-62 mph (seconds)	Top speed mph (where law permits)	CO ₂ emissions (g/km)
T30 and T32 short- and long-wheelbase window van with medium roof						
2.0TDI 84PS	29.7 (9.5)	46.3 (6.1)	38.7 (7.3)	21.2	88	193
2.0TDI 84PS BlueMotion Technology	33.6 (8.4)	47.9 (5.9)	41.5 (6.8)	21.2	88	179
2.0TDI 102PS	29.7 (9.5)	46.3 (6.1)	38.7 (7.3)	16.5	94	193
2.0TDI 114PS BlueMotion Technology	33.6 (8.4)	47.9 (5.9)	41.5 (6.8)	16.0	98	179
2.0TDI 140PS	29.4 (9.6)	44.8 (6.3)	37.7 (7.5)	13.2	104	198
2.0TDI 140PS BlueMotion Technology	31.7 (8.9)	47.9 (5.9)	40.4 (7.0)	13.2	104	184
2.0TDI 140PS DSG	27.7 (10.2)	42.2 (6.7)	35.3 (8.0)	13.1	103	211
2.0TDI 140PS DSG BlueMotion Technology	30.4 (9.3)	43.5 (6.5)	37.7 (7.5)	13.1	103	198
2.0TDI 140PS 4MOTION®	27.7 (10.2)	40.9 (6.9)	34.9 (8.1)	13.7	102	214
2.0TDI 140PS 4MOTION® BlueMotion Technology	29.4 (9.6)	43.5 (6.5)	37.2 (7.6)	13.7	102	199
2.0BiTDI 180PS	29.4 (9.6)	43.5 (6.5)	37.2 (7.6)	10.4	114	199
2.0BiTDI 180PS BlueMotion Technology	32.5 (8.7)	45.6 (6.2)	39.8 (7.1)	10.4	114	187
2.0BiTDI 180PS DSG	28.2 (10.0)	42.2 (6.7)	35.8 (7.9)	10.3	114	208
2.0BiTDI 180PS DSG BlueMotion Technology	32.1 (8.8)	40.9 (6.9)	37.2 (7.6)	10.3	114	188
2.0BiTDI 180PS 4MOTION®	27.4 (10.3)	40.4 (7.0)	34.4 (8.2)	10.7	113	216
2.0BiTDI 180PS 4MOTION® BlueMotion Technology	31.1 (9.4)	42.2 (6.7)	36.7 (7.7)	10.7	113	203
2.0BiTDI 180PS DSG 4MOTION®	25.9 (10.9)	38.7 (7.3)	32.8 (8.6)	10.9	113	226
2.0BiTDI 180PS DSG 4MOTION® BlueMotion Technology	29.1 (9.7)	37.7 (7.5)	34.0 (8.3)	10.9	113	219

¹The fuel consumption and emission test values shown are in full compliance with the fuel consumption directive 80/1268/EWG

Transporter shuttle: Dimensions

Short wheelbase



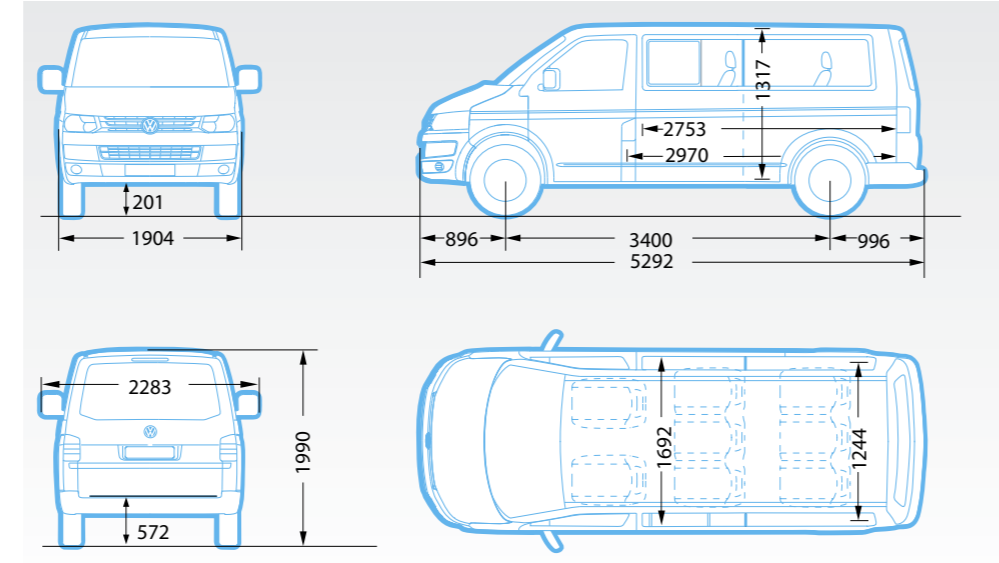
Dimensions	
Wheelbase	3,000
Load compartment	
Length	2,570
Width	1,692
Width (between wheel housings)	1,244
Height	1,317
Area	4.3m ³
Volume	5.8m ³
Turning circle (wall to wall)	11.9m

All dimensions in mm unless otherwise specified.

The height measurements listed here may vary by ± 50mm depending on equipment fitted. Please note vehicle drawings are not to scale

□ Indicates SE dimensions, where different

Long wheelbase



Dimensions	
Wheelbase	3,400
Load compartment	
Length	2,970
Width	1,692
Width (between wheel housings)	1,244
Height	1,317
Area	5.0m ³
Volume	6.7m ³
Turning circle (wall to wall)	13.2m

Transporter shuttle: Weights

Model / gross vehicle weight (kg)	Engine/transmission	Axle load limit front/rear (kg)	Trailer weight braked 12%/unbraked (kg)	Gross train weight (kg)	Unladen weight † (kg)	Payload † (kg)
Transporter shuttle S						
Short wheelbase						
T30	3,000 2.0TDI 84PS	1,500 / 1,575	2,200 / 750	4,800	2,080	920
	3,000 2.0TDI 84PS BlueMotion Technology	1,500 / 1,575	2,200 / 750	4,800	2,089	911
	3,000 2.0TDI 102PS	1,500 / 1,575	2,200 / 750	4,900	2,080	920
	3,000 2.0TDI 114PS BlueMotion Technology	1,500 / 1,575	2,200 / 750	4,900	2,089	911
	3,000 2.0TDI 140PS	1,550 / 1,575	2,500 / 750	5,200	2,116	884
	3,000 2.0TDI 140PS BlueMotion Technology	1,550 / 1,575	2,500 / 750	5,200	2,124	876
	3,000 2.0TDI 140PS DSG	1,550 / 1,575	2,500 / 750	5,300	2,132	868
	3,000 2.0TDI 140PS DSG BlueMotion Technology	1,550 / 1,575	2,500 / 750	5,300	2,140	860
Long wheelbase						
T30	3,000 2.0TDI 84PS	1,525 / 1,600	2,200 / 750	4,800	2,145	855
	3,000 2.0TDI 84PS BlueMotion Technology	1,525 / 1,600	2,200 / 750	4,800	2,154	846
	3,000 2.0TDI 102PS	1,525 / 1,600	2,200 / 750	4,900	2,145	855
	3,000 2.0TDI 114PS BlueMotion Technology	1,525 / 1,600	2,200 / 750	4,900	2,154	846
	3,000 2.0TDI 140PS	1,575 / 1,600	2,500 / 750	5,200	2,182	818
	3,000 2.0TDI 140PS BlueMotion Technology	1,575 / 1,600	2,500 / 750	5,200	2,189	811
	3,000 2.0TDI 140PS DSG	1,575 / 1,600	2,500 / 750	5,300	2,197	803
	3,000 2.0TDI 140PS DSG BlueMotion Technology	1,575 / 1,600	2,500 / 750	5,300	2,205	795

† Unladen weight and payload figures for Transporter shuttle models are calculated with 100% fuel load and no driver. The published payload figure is based on a standard-specification vehicle. It does not include any items of optional equipment. Any optional equipment will reduce the payload from the published figure. Roof load limit 100kg (with two roof carriers) or 150kg (with at least four roof carriers). Only with low roof. Trailer nose weight 100kg.

Transporter shuttle: **Weights (cont.)**

Model / gross vehicle weight (kg)	Engine/transmission	Axle load limit front/rear (kg)	Trailer weight braked 12%/ unbraked (kg)	Gross train weight (kg)	Unladen weight [†] (kg)	Payload [†] (kg)	
Transporter shuttle SE							
Short wheelbase							
T30	3,000	2.0TDI 102PS	1,500 / 1,575	2,200 / 750	4,900	2,075	925
	3,000	2.0TDI 114PS BlueMotion Technology	1,500 / 1,575	2,200 / 750	4,900	2,084	916
	3,000	2.0TDI 140PS	1,550 / 1,575	2,500 / 750	5,200	2,111	889
	3,000	2.0TDI 140PS BlueMotion Technology	1,550 / 1,575	2,500 / 750	5,200	2,150	850
	3,000	2.0TDI 140PS DSG	1,600 / 1,575	2,500 / 750	5,300	2,127	873
	3,000	2.0TDI 140PS DSG BlueMotion Technology	1,550 / 1,575	2,500 / 750	5,300	2,166	834
	3,000	2.0TDI 140PS 4MOTION®	1,600 / 1,575	2,500 / 750	5,300	2,231	769
	3,000	2.0TDI 140PS 4MOTION® BlueMotion Technology	1,600 / 1,575	2,500 / 750	5,300	2,270	730
	3,000	2.0BitDI 180PS	1,550 / 1,575	2,500 / 750	5,200	2,161	839
	3,000	2.0BitDI 180PS BlueMotion Technology	1,550 / 1,575	2,500 / 750	5,200	2,194	806
	3,000	2.0BitDI 180PS DSG	1,550 / 1,575	2,500 / 750	5,300	2,173	827
	3,000	2.0BitDI 180PS DSG BlueMotion Technology	1,550 / 1,575	2,500 / 750	5,300	2,210	790
	3,000	2.0BitDI 180PS 4MOTION®	1,600 / 1,575	2,500 / 750	5,300	2,282	718
	3,000	2.0BitDI 180PS 4MOTION® BlueMotion Technology	1,600 / 1,575	2,500 / 750	5,300	2,315	685
	3,000	2.0BitDI 180PS DSG 4MOTION®	1,600 / 1,575	2,500 / 750	5,300	2,295	705
	3,000	2.0BitDI 180PS DSG 4MOTION® BlueMotion Technology	1,600 / 1,575	2,500 / 750	5,300	2,332	668
Long wheelbase							
T30	3,000	2.0TDI 102PS	1,525 / 1,600	2,200 / 750	4,900	2,172	828
	3,000	2.0TDI 114PS BlueMotion Technology	1,525 / 1,600	2,200 / 750	4,900	2,181	819
	3,000	2.0TDI 140PS	1,575 / 1,600	2,500 / 750	5,200	2,208	792
	3,000	2.0TDI 140PS BlueMotion Technology	1,575 / 1,600	2,500 / 750	5,200	2,216	784
	3,000	2.0TDI 140PS DSG	1,575 / 1,600	2,500 / 750	5,300	2,224	776
	3,000	2.0TDI 140PS DSG BlueMotion Technology	1,575 / 1,600	2,500 / 750	5,300	2,336	664
	3,000	2.0TDI 140PS 4MOTION®	1,600 / 1,600	2,500 / 750	5,300	2,328	672
	3,000	2.0TDI 140PS 4MOTION® BlueMotion Technology	1,600 / 1,600	2,500 / 750	5,300	2,231	769
	3,000	2.0BitDI 180PS	1,575 / 1,600	2,500 / 750	5,200	2,258	742
	3,000	2.0BitDI 180PS BlueMotion Technology	1,575 / 1,600	2,500 / 750	5,200	2,260	740
	3,000	2.0BitDI 180PS DSG	1,575 / 1,600	2,500 / 750	5,300	2,270	730
	3,000	2.0BitDI 180PS DSG BlueMotion Technology	1,575 / 1,600	2,500 / 750	5,300	2,275	725
T32	3,200	2.0BitDI 180PS 4MOTION®	1,700 / 1,720	2,500 / 750	5,300	2,403	797
	3,200	2.0BitDI 180PS 4MOTION® BlueMotion Technology	1,700 / 1,720	2,500 / 750	5,300	2,405	795
	3,200	2.0BitDI 180PS DSG 4MOTION®	1,700 / 1,720	2,500 / 750	5,300	2,416	784
	3,200	2.0BitDI 180PS DSG 4MOTION® BlueMotion Technology	1,700 / 1,720	2,500 / 750	5,300	2,421	779

Transporter shuttle: **Economy and performance**

Engine/transmission	Urban mpg (l/100km) ¹	Extra-urban mpg (l/100km) ¹	Combined mpg (l/100km) ¹	Acceleration 0-62 mph (seconds)	Top speed mph (where law permits)	CO ₂ emissions (g/km)
Transporter short- and long-wheelbase shuttle S						
2.0TDI 84PS	29.7 (9.5)	46.3 (6.1)	38.7 (7.3)	22.2	91	193
2.0TDI 84PS BlueMotion Technology	33.6 (8.4)	47.9 (5.9)	41.5 (6.8)	22.2	91	179
2.0TDI 102PS	29.7 (9.5)	46.3 (6.1)	38.7 (7.3)	17.9	98	193
2.0TDI 114PS BlueMotion Technology	33.6 (8.4)	47.9 (5.9)	41.5 (6.8)	16.9	101	179
2.0TDI 140PS	29.4 (9.6)	44.8 (6.3)	37.7 (7.5)	14.2	107	198
2.0TDI 140PS BlueMotion Technology	31.7 (8.9)	47.9 (5.9)	40.4 (7.0)	14.2	107	184
2.0TDI 140PS DSG	27.7 (10.2)	42.2 (6.7)	35.3 (8.0)	14.7	107	211
2.0TDI 140PS DSG BlueMotion Technology	30.4 (9.3)	43.4 (6.5)	37.7 (7.5)	14.7	107	198
Transporter short- and long-wheelbase shuttle SE						
2.0TDI 102PS	29.7 (9.5)	46.3 (6.1)	38.7 (7.3)	17.9	98	193
2.0TDI 114PS BlueMotion Technology	33.6 (8.4)	47.9 (5.9)	41.5 (6.8)	16.9	101	179
2.0TDI 140PS	29.4 (9.6)	44.8 (6.3)	37.7 (7.5)	14.2	107	198
2.0TDI 140PS BlueMotion Technology	31.7 (8.9)	47.9 (5.9)	40.4 (7.0)	14.2	107	184
2.0TDI 140PS DSG	27.7 (10.2)	42.2 (6.7)	35.3 (8.0)	14.7	107	211
2.0TDI 140PS DSG BlueMotion Technology	30.4 (9.3)	43.5 (6.5)	37.7 (7.5)	14.7	107	198
2.0TDI 140PS 4MOTION®	27.2 (10.4)	39.8 (7.1)	34.0 (8.3)	15.3	106	219
2.0TDI 140PS 4MOTION® BlueMotion Technology	28.8 (9.8)	42.2 (6.7)	36.2 (7.8)	15.3	106	206
2.0BitDI 180PS	28.8 (9.8)	42.2 (6.7)	36.2 (7.8)	11.4	119	205
2.0BitDI 180PS BlueMotion Technology	31.7 (8.9)	44.1 (6.4)	38.7 (7.3)	11.4	119	192
2.0BitDI 180PS DSG BlueMotion Technology	32.1 (8.8)	40.9 (6.9)	37.2 (7.6)	11.3	119	199
2.0BitDI 180PS 4MOTION®	26.9 (10.5)	39.2 (7.2)	33.6 (8.4)	11.8	117	221
2.0BitDI 180PS DSG	27.7 (10.2)	40.9 (6.9)	34.9 (8.1)	11.3	119	214
2.0BitDI 180PS 4MOTION® BlueMotion Technology	29.4 (9.6)	40.9 (6.9)	35.8 (7.9)	11.8	117	208
2.0BitDI 180PS DSG 4MOTION®	25.4 (11.1)	37.7 (7.5)	32.1 (8.8)	12.1	117	232
2.0BitDI 180PS DSG 4MOTION® BlueMotion Technology	29.1 (9.7)	37.7 (7.5)	34.0 (8.3)	12.1	117	219

¹The fuel consumption and emission test values shown are in full compliance with the fuel consumption directive 80/1268/EWG

Support

Keeping you – and your vehicle – on the road and working

Full support right from the start

We want to make sure that using your Transporter is hassle-free and cost-efficient. That's why every vehicle comes with a three-year warranty and a choice of finance, servicing and insurance options. It all helps to keep the big issues covered

A three-year warranty that lasts 100,000 miles

All Volkswagen Commercial Vehicles get a three-year, 100,000-mile warranty* – and so do any factory-fit options that you buy. The vehicle warranty is made up of:

- A two-year manufacturer's warranty with unlimited mileage
- A third-year Van Centre warranty, up to a maximum of 100,000 miles*

Even if you exceed 100,000 miles during your first two years, the manufacturer's two-year warranty will still be valid.

Want cover for longer?

You can extend your vehicle warranty online or by phone. You can choose Comprehensive or Major Component cover and either one-off or monthly payments. Call **0845 641 9712** or visit www.volkswagencvwarranty.co.uk.

3
year
warranty
✓

* Unlimited mileage for the Crafter in its third year

Van Centres – always there for you

Our dedicated Van Centre network is at the core of everything we do, with more than 100 Van Centres and Authorised Repairers throughout the UK.

Our Van Centre network offers a wide range of services, from MOTs to accessories, servicing and fully-fitted parts. Not only that, but we use Volkswagen quality parts and you get dedicated staff who understand your vans intimately. So pop in for a coffee and a chat, and find out what your Van Centre can do for you.

Service options designed to fit your business perfectly

It's only natural that you want to keep your Transporter running at its best. Getting it serviced at a Volkswagen Van Centre is a great way to ensure that's exactly what happens. However, when it comes to servicing, we know every business has different needs. That's why we've developed three different service options for you to choose from:

- Pay Monthly
- Pay Upfront
- Pay On-Demand

Whichever suits your business best, you can rest assured that when you book in your vehicle, it'll be looked at by Volkswagen-trained technicians and they'll use only Volkswagen quality parts. What's more, there's a two-year warranty on the parts and one year on labour.

  **For more details** visit www.volkswagen-vans.co.uk, or call **0800 717131** to learn more.



Turn the page to learn more about our Van Centre network

Volkswagen Insurance keeps you covered*

Volkswagen Commercial Vehicle Insurance can provide you with cost-effective, comprehensive motor insurance. Look at some of the benefits:

- Seven-day free cover to allow you to drive your vehicle away
- All repairs performed by approved repairers
- Volkswagen quality parts on all repairs
- Courtesy vehicle provided during repair following an accident
- Cover for breakage and damage to glass
- Tools-in-transit cover (up to £1,000)
- In-vehicle personal belongings cover (up to £500)
- Vehicle recovery
- 60-day European Union cover
- Legal expenses cover up to £100,000

We also offer a range of gap insurance products. These help you replace your vehicle or protect you from any financial shortfall if it is written off.

  **For more details** visit www.insurewithvwc.co.uk, call **0800 316 7896** or pop into your Van Centre and ask for a Flexible Finance brochure.

* Terms and conditions apply

Flexible Finance that makes things affordable

We can also make buying a new vehicle more affordable in the first place. Speak to us about our selection of finance options, which include:

- Contract hire
- Finance lease
- Lease purchase
- Hire purchase

 **For more details** visit www.volkswagen-vans.co.uk/finance or pick up our Flexible Finance brochure at your nearest Van Centre.

Three years' Roadside Assistance

Sometimes, the unexpected happens. If it does, your new Transporter comes with an unlimited-mileage recovery and assistance package. It lasts the same three years as your warranty and operates 24 hours a day, 365 days a year.

Cover is available across the UK and most of Europe. Our fully trained technicians can diagnose most problems at the roadside and they use Volkswagen quality parts.

  **Learn more**

Visit your Van Centre to get a Volkswagen Roadside Assistance handbook, visit www.volkswagen-vans.co.uk/aftersales/roadside-assistance or call **0800 77 71 72**

7 ways your Van Centre can help you

Make full use of your nearest Van Centre – it's full of Volkswagen experts who know your vehicle better than anyone and who can help you to get the best out of it

1. Picking a vehicle that's perfect for your needs

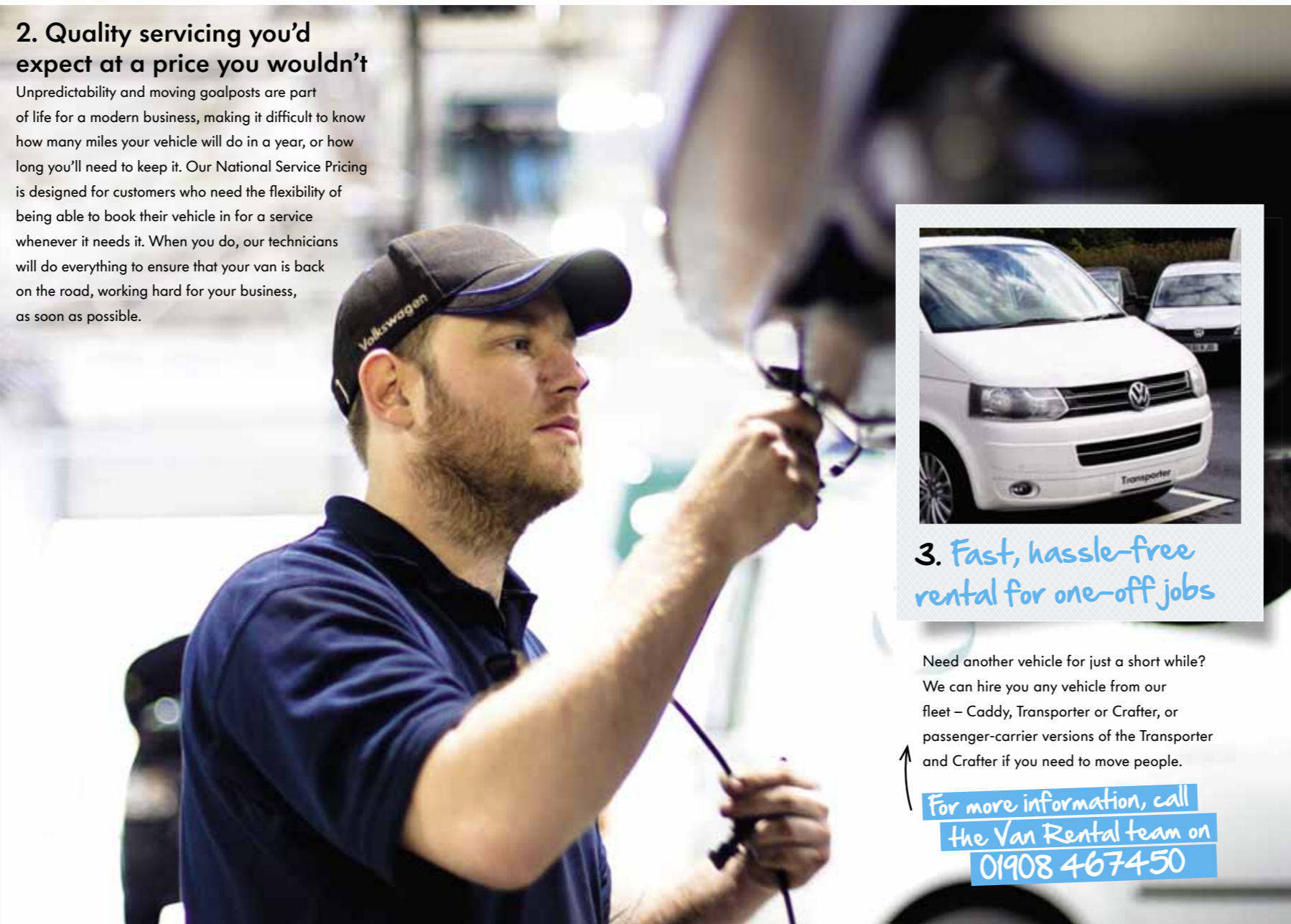
We know that choosing your next van or passenger carrier is a big decision. You want a vehicle that works as hard as you do, both now and for the long-term – one that's versatile, cost-effective and reliable. We're here to help make your choice easier.

Our Van Centre experts can offer advice on every model in the range and help you pick the right vehicle and factory-fit options for your business. They can also advise you on the best finance packages to ensure that your payments make financial sense.



2. Quality servicing you'd expect at a price you wouldn't

Unpredictability and moving goalposts are part of life for a modern business, making it difficult to know how many miles your vehicle will do in a year, or how long you'll need to keep it. Our National Service Pricing is designed for customers who need the flexibility of being able to book their vehicle in for a service whenever it needs it. When you do, our technicians will do everything to ensure that your van is back on the road, working hard for your business, as soon as possible.



3. Fast, hassle-free rental for one-off jobs

Need another vehicle for just a short while? We can hire you any vehicle from our fleet – Caddy, Transporter or Crafter, or passenger-carrier versions of the Transporter and Crafter if you need to move people.

For more information, call the Van Rental team on 01908 467450



4. Accessories designed to help you get more from your van

Perhaps your needs have changed – maybe you need a towbar or a roof rack, or perhaps you want to give your vehicle some extra style. That's where Add Ons comes in. Add Ons is an extensive range of Volkswagen-approved accessories, available to buy and be fitted at your local Van Centre. We've got everything from towbars to tailgate spoilers, load nets to leather seats and sat-nav systems to stunning alloy wheels.



5. Taking the worry out of tyres

Why run around looking for a fitter who has your tyres in stock? Let us fit new tyres when your vehicle is in for its service and it'll keep your van off the road for less time. We have a huge range of tyres for all Volkswagen Commercial Vehicles, from economy to premium brands, including winter tyres.



6. Express Visual Checks – peace of mind for free

Your Van Centre or Authorised Repairer can give your vehicle a free, 29-point Express Visual Check for complete peace of mind. You'll be given a comprehensive report, with the results clearly explained, and your technician will talk you through what work may need to be done in the future, so that you can plan ahead and budget for it. If something needs urgent attention, you can get a precise quote before any work is done – and all the Volkswagen parts are covered by a two-year warranty.

What else can we do?

Loads! Just pop into any Van Centre and ask us. For example, we may be able to point you to a local signwriter, recharge your air-conditioning, or answer any queries about your vehicle. Whatever it may be, we're here for you.

7. Fully fitted parts for a fixed price – and not a penny more

The pricing of all our Volkswagen quality parts is straightforward and clear, so you know exactly how much you're paying. Even better, when they're fitted by trained technicians at a Van Centre or Authorised Repairer they come with two years' warranty and 12 months warranty on labour. If your van is over five years old, ask us about our Economy Parts range. This is a great-value way to help keep your vehicle 100% Volkswagen.



To find your nearest Van Centre, visit www.volkswagen-vans.co.uk or call 0800 717131

Notes

*Scribble any queries
you have here so you
don't forget them*

Vehicle Excise Duty (VED)

Passenger vehicles' Vehicle Excise Duty (VED) is based on the amount of CO₂ the vehicle emits in g/km. The Driver and Vehicle Licensing Agency (DVLA) has created 13 categories as detailed below. From 1 April 2010, a 'First Year Rate' of VED has applied. The chart below shows the VED bands and the charges levied:

VED band	CO ₂ emissions (g/km)	First-year rate (£)	Rate for subsequent years (£)
A	Up to 100	0.00	0.00
B	101-110	0.00	20.00
C	111-120	0.00	30.00
D	121-130	0.00	105.00
E	131-140	125.00	125.00
F	141-150	140.00	140.00
G	151-165	175.00	175.00
H	166-175	285.00	200.00
I	176-185	335.00	220.00
J	186-200	475.00	260.00
K	201-225	620.00	280.00
L	226-255	840.00	475.00
M	Over 255	1065.00	490.00

The small print and the footnotes

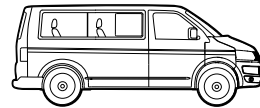
Print processes do not allow exact reproduction of the paint and upholstery colours. Some of the vehicles shown are European specification and may be fitted with optional equipment or accessories that are available at extra charge.

All data given and specifications are in accordance with information available at the time of going to print and are subject to change without notice. Vehicles not in current UK stock and customer order vehicles may take a number of weeks for delivery. Certain combinations of vehicle specifications and factory-fitted extras are not compatible and therefore all orders received are subject to confirmation. Models, factory-fitted options and paint and upholstery options subject to availability. Please check details and availability with an appropriate authorised Volkswagen Van Centre at the time of ordering.

Volkswagen Commercial Vehicle Finance is a trading name of Volkswagen Financial Services (UK) Limited. Finance subject to status, and available to over 18s only.

Full details of Volkswagen warranties are available from your authorised Volkswagen Van Centre or Van Service Centre.

Volkswagen Commercial Vehicle Insurance is a trading name of Volkswagen Insurance Service (Great Britain) Limited, an appointed representative of Volkswagen Financial Services (UK) Limited, Brunswick Court, Yeomans Drive, Blakelands, Milton Keynes MK14 5LR. Registered in England number 2835230. Volkswagen Commercial Vehicle Insurance is sold, underwritten and administered by Allianz Insurance plc registered in England number 84638. Registered office 57 Ladymead, Guildford, Surrey GU1 1DB. Volkswagen Financial Services (UK) Limited and Allianz Insurance plc are authorised and regulated by the Financial Services Authority. Volkswagen Financial Services (UK) Limited and Allianz Insurance plc are not part of the same corporate group




Get in touch with the experts

To find your nearest Van Centre call

0800 717 131

or visit www.volkswagen-vans.co.uk

 Volkswagen_CV

 VolkswagenCommercialVehiclesUK

Issue: January 2014

Printed in the UK, 2 January 2014. CVW712TPCARR

This brochure supersedes all previous publications