

ISUZU  
MUX



**GO YOUR OWN WAY**

# YOUR LIFE YOUR WAY

## INTRODUCING THE 7 SEAT ISUZU MU-X. A GO ANYWHERE SUV THAT REDEFINES THE BOUNDARIES OF ADVENTURE.

Whether you're navigating peak-hour on the weekday school run or traversing whatever the wildest weekend can throw at you, the Isuzu MU-X has you covered for the routine, extreme, and everything in between. Enjoy a passenger car-like driving experience you have come to expect from today's modern SUVs, but with a bulletproof 4WD drivetrain mated to one of the world's most robust diesel engines. The MU-X will deliver you the opportunity to test your off-road ability like never before.

A new world awaits, Isuzu MU-X - GO YOUR OWN WAY.





# YOUR PIECE OF HISTORY



**A driving force for over a century.**

Isuzu Motors has the longest history of any Japanese vehicle manufacturer with a heritage that stretches back to 1916. As the world's largest commercial diesel engine manufacturer, Isuzu Motors are leaders in the production of commercial diesel engines having produced over 25 million engines to date. Isuzu diesel engines are relied upon by top-level automobile manufacturers around the world to deliver superior performance and exceptional fuel economy. With the Isuzu MU-X, this vast heritage is distilled into a powerful and efficient engine and coated in a sophisticated exterior.

Since its launch, the Isuzu MU-X has been trusted by families and businesses to get them where they need to go day in and day out. They are depended upon to traverse the toughest of terrains, to find that perfect spot and to make it back home again.

The Isuzu MU-X has a long, proud history of performance behind it and an even longer road filled with adventure in front.



**A** 1992 saw the introduction of the second model Isuzu Trooper to the US market

**B** 2001 saw the release of the Isuzu Rodeo fitted with a precursor to our Terrain Command 4WD system

**C** 2002 saw the release of the Isuzu Axiom to the US market



# YOUR TIME TO IMPRESS

## Bold, adventurous styling.

The Isuzu MU-X strikes a commanding stance. With suave city style meshed with tough off-road tones, the MU-X will turn heads for all the right reasons. Available in three different spec levels in both 4x2 and 4x4, there's an MU-X that not only looks the part, but is appropriately designed with all the features required to suit any driving purpose.

Whether your rendezvous is on the red carpet or off the beaten track, the MU-X looks at home in any setting and on any terrain.

Effortlessly, the MU-X blurs the boundaries between the city and the outback – providing you and your family with an endless choice of exciting destinations.

**A** 18" alloy wheels come standard on LS-U and LS-T models, letting your MU-X traverse any terrain in style

**B** Striking LED Daytime Running Lights (DRLs) and Bi-LED projector headlights with auto-levelling functionality let you stand out on the road and are standard on all models

**C** Ultra-bright LED taillights help to keep your MU-X safe and easily visible any time of the day or night





# YOUR POWER TO PERFORM

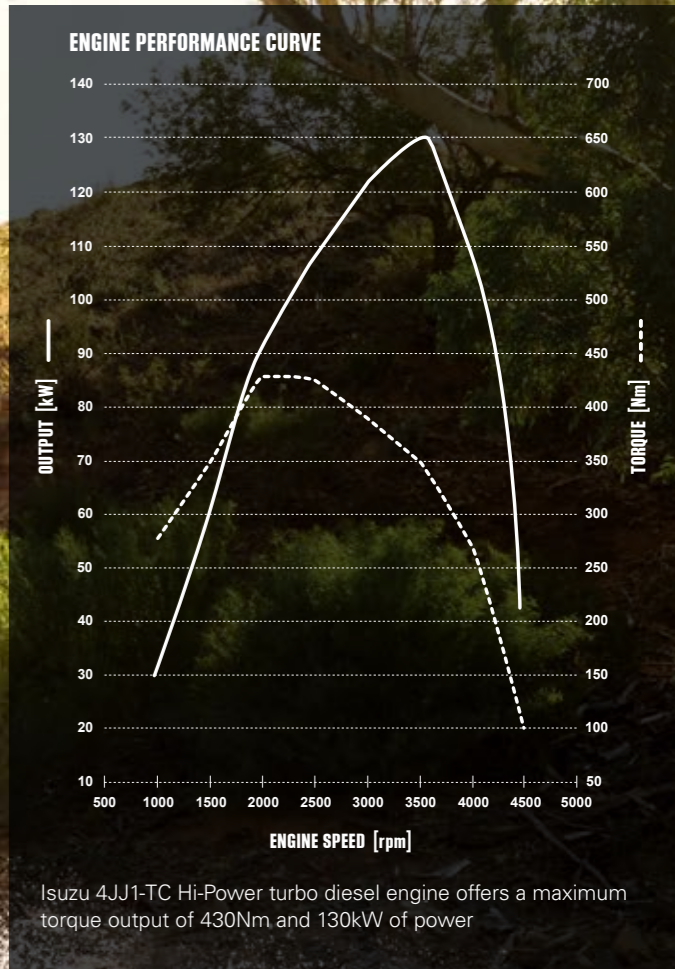
Behind the style, there's plenty of substance.

With 3 tonne braked towing\* across the entire range, the Isuzu MU-X never knocks back hard work. Be it towing your boat, caravan, horse float or trailer, the MU-X does it effortlessly and with confidence – thanks to the ingenious Isuzu technology and Japanese engineering under the bonnet.

Delivering 130kW of power and 430Nm of torque, the high-pressure common rail fuel injection system makes the most of every drop of fuel, and the intercooled Variable Geometry System (VGS) turbocharger provides excellent response over the engine's entire rev range. Proven in a series of testing environments, each component of the Euro5-compliant Isuzu diesel engine has been crafted to reduce maintenance costs and increase durability to ensure years of trouble-free motoring.

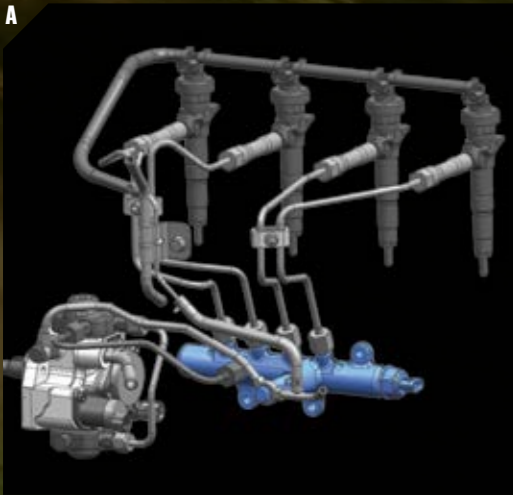
- A** Famous for its durability, reliability and fuel economy, the Isuzu 3.0L turbo diesel engine provides abundant power and torque to make light work of any load
- B** Low compression pistons with Teflon coating provide increased fuel economy and engine durability, meaning lower maintenance costs & increased engine life

\*Braked towing on all MU-X models when fitted with optional genuine Isuzu MU-X tow bar kit.



Isuzu 4JJ1-TC Hi-Power turbo diesel engine offers a maximum torque output of 430Nm and 130kW of power

4x4 LS-T in Havana Brown mica, fitted with extra cost tow bar



# YOUR FUEL EFFICIENCY

**Legendary fuel economy takes you further.**

From one of the world's leading manufacturers of diesel engine technology, the impressive Isuzu 3.0 litre turbo diesel engine that powers the Isuzu MU-X is as frugal as it is athletic. Delivering plenty of power and torque, this stirring powerplant produces amazing fuel economy from just 7.9<sup>4</sup> litres per 100km – which means less time filling up and more money in your pocket to spend on your next adventure.

The MU-X is as efficient as it gets thanks to three core engine characteristics – delivering improved torque output across a wider rev range provides optimum performance and fuel efficiency, while the MU-X's Variable Geometry System (VGS) turbocharger alters the direction of exhaust flow to optimise turbine response at low engine rpm to overcome 'turbo lag'. Overseeing the fuel delivery is the MU-X's common rail high pressure fuel system which uses the latest in fuel injector and high pressure fuel rail technology to effectively minimise the amount of fuel in the combustion process, providing superior fuel economy.

In addition, automatic versions of the MU-X also benefit from the intelligent 'grade-logic' transmission which keeps the MU-X in the correct gear preventing over-revving and unnecessary fuel burn.

- A** Common rail high pressure fuel injection system
- B** Fuel efficient 6-speed automatic transmission with Rev-Tronic
- C** Multi-Information Display of instant and average fuel consumption

<sup>4</sup>Fuel consumption and emissions figures based on ADR 81/02 (combined cycle test) and are to be used for vehicle comparison purposes only. Actual fuel consumption and emissions will vary depending on many factors including, but not limited to, traffic conditions, individual driving style and vehicle condition.



FUEL CONSUMPTION FIGURES		Combined Fuel Consumption <sup>A</sup>
Isuzu MU-X Models		
4x2 LS-M	A	8.0L/100km
4x2 LS-U	A	8.1L/100km
4x2 LS-T	A	8.1L/100km
4x4 LS-M	A M	8.1L/100km
4x4 LS-U	A M	7.9L/100km
4x4 LS-T	A	7.9L/100km

A Automatic Transmission M Manual Transmission



**HILL START ASSIST (HSA)**

**HILL DESCENT CONTROL (HDC)**



WITHOUT HSA



WITHOUT HDC

# YOUR OFF-ROAD ADVENTURE



**Four-wheel-drive command at your fingertips.**

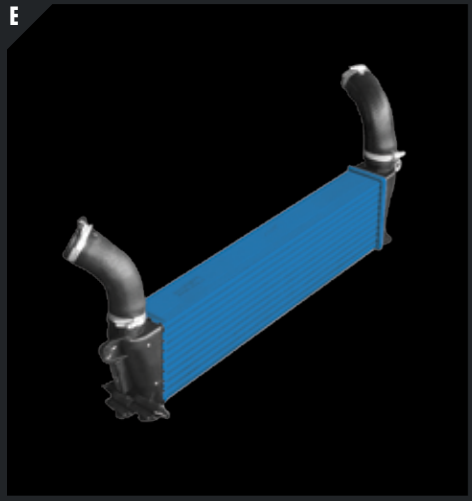
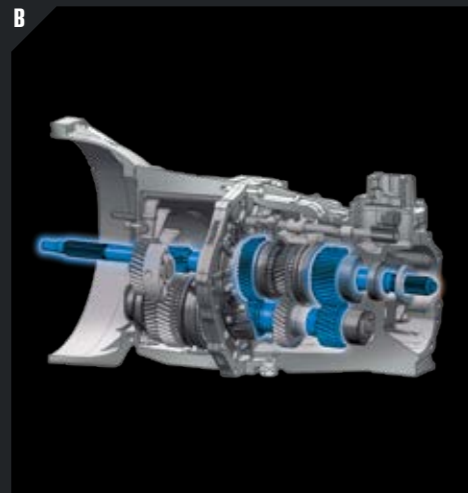
For years, other manufacturers have been displaying their latest family SUV's traversing rocky mountain ranges and cruising along soft sandy beaches – only to be told in the showroom that “you shouldn't really try that”. Well now with the Isuzu MU-X four-wheel-drive you can tackle that always dreamt of destination and reach that out-of-the-way spot with confidence, as it enables you real-world off-road capability.

All 4x4 MU-X models are equipped with Isuzu's super-easy to use “Terrain command” 4WD select dial (2WD-high, 4WD-high and 4WD-low). The automatic transmission will also engage the Uphill/Downhill Transmission Control System automatically – so when the road that takes you to that secret beach, or hidden mountain range gets tough, your spirit for adventure won't be stopped in its tracks.

Every 4x4 MU-X is also fitted with the rugged off-road protection you need when roughing it. There's a front steel plate skid/splash shield as well as steel plate guards to protect the sump and transfer case. For added driver control and safety, the electronic brake control will also automatically engage the Hill Start Assist (HSA) to prevent vehicle roll-back when starting on steep gradients (above 5.7 degrees). Hill Descent Control (HDC) will give you the confidence to tackle downhill terrain, providing maximum traction and control when activated. Add to this a tried and tested 4x4 drivetrain managed by an intelligent Traction Control System (TCS) with Electronic Stability Control (ESC), along with generous ground-clearance, approach and departure angles - any track is yours to be owned.

- A** HSA prevents roll back on gradients above 5.7 degrees, while HDC provides maximum traction going downhill
- B** Underbody protection, front steel plate skid/shield
- C** “Terrain Command” 4WD system allows for simple shift from 2WD-high, 4WD-high and 4WD-low
- D** Independent high ride front coil spring suspension with gas shock absorbers, stabiliser bar, upper and lower wishbones





# YOUR TOUGH SPIRIT



Over a century of hard working DNA.

Beneath the plush comfort of the Isuzu MU-X, you will find the engineering DNA that delivers our tough and reliable reputation. With a robust chassis delivering superior stability and roadholding in all conditions. The MU-X has gone through strenuous testing in searing heat, heaving rain, hail and even snow to ensure that it will never let you down.

Isuzu has created over 25 million diesel engines around the world, engines that have been honed in trucks and light-commercial vehicles for generations. Under its stylish hood, the Isuzu MU-X boasts an engine that distils everything Isuzu has learnt over the last 100 years to give you an efficient powerhouse that will get you wherever you want to go and back again.

Our confidence in the durability and reliability of our MU-X line is backed up by the Isuzu UTE Australia Service Plus Program, which gives you extra peace of mind when it comes to protecting your investment anywhere around Australia. When you buy an Isuzu MU-X you don't just get an SUV, you get the tools to go your own way with every Isuzu MU-X.

- A** Steel timing chain (not poly belt)
- B** 6-speed automatic and manual transmissions with equal maximum torque output (manual shown)
- C** Sophisticated engine head; cam-to-valve roller bearings and variable swirl action gas flow
- D** Variable Geometry Systems (VGS) Turbo-charger provides lower emissions and higher engine output
- E** Large intercooler means greater thermo-cooling capacity
- F** High pressure common rail fuel injection system minimises the amount of fuel needed in the combustion process, providing superior fuel economy

**SERVICE+PLUS**

<b>5</b> YEAR WARRANTY <sup>^</sup>	<b>5</b> YEARS ROADSIDE ASSIST	<b>5</b> YEARS CAPPED PRICE SERVICE <sup>^</sup>
--	-----------------------------------	---



**OVER A CENTURY OF REFINED ENGINEERING IS REFLECTED IN THE RELIABLE ISUZU MU-X.**

<sup>^</sup>5 years/130,000km whichever occurs first, for eligible customers. Excludes accessories. <sup>^</sup>The Capped Price Servicing Program ("CPS Program") applies to Eligible Vehicles with a Warranty Start Date on or after 1/1/15 at Participating Isuzu UTE Dealers only. The 5 years Capped Price Servicing covers the first 5 Scheduled Services for 16.5MY and later vehicle models for up to 5 years/50,000km (whichever occurs first). CPS Program is subject to change. For full terms & conditions and current pricing visit [isuzuute.com.au/service-plus](http://isuzuute.com.au/service-plus).



# YOUR MAXIMUM COMFORT

## A relaxing ride in any seat.

Cloaked behind the sleek exterior lines of the Isuzu MU-X lies a smartly designed and comfortably spacious interior. The versatile second and third row seats mean that you'll always be able to find a way to accommodate your passengers and anything else you need to take with you without compromising on space or comfort. Wide door arches make access for all passengers a breeze, and when exploring your sense of adventure off-road, there's strategically placed assist grips to help keep you grounded.

With plush cloth seats as standard on LS-M and LS-U models, you and your passengers can relax in comfort - even if you're roughing it in the most remote parts of the country. A seat design with 'wrap-around' bolsters provides increased shoulder, back and base support delivering more comfort for occupants. Experience ultimate driving luxury with leather accented seats\* which come standard on the top of the range LS-T model, along with a six-way adjustable electric driver seat to let you find the perfect driving position with ease.

Whether you're driving, or just along for the ride, you'll always find a comfortable and spacious seat in your Isuzu MU-X - you'll enjoy every mile of the journey.

**A** Indulge in the luxury comfort of stylish leather accented seats\* as standard in LS-T models

**B** Extra leg room and space gives extra comfort to the second row seats (LS-T model shown)

**C** The 40/60 second row seat split design allows for a large load space and 3 occupants

**D** Six-way electric driver seat allows you to conveniently find your most comfortable driving position at the touch of a button (LS-T models only)

\*Seats have leather touches or accents (excluding third row), but are not wholly leather.

Black leather accented seats\*



## YOUR OWN SPACE

### Interior space and comfort.

The interior of every Isuzu MU-X is extremely versatile, but also extremely comfortable. There's room for you and a team of six to travel safely, securely and in comfort. Clever split/fold rear seats in both the second and third rows mean that no matter what seating configuration you choose, the versatile interior will provide you and your family with all the head, leg and shoulder room you need for a relaxing journey.

In addition to lounging space, there's also a practical side to the MU-X's interior. There's an abundance of clever storage compartments and with the second and third row seats ability to fold down, there's also an overly generous cargo area when you have a sizeable load to carry. You'll never need to look for another cup holder again, our design engineers have managed to include 12 of them so you'll always have a refreshment at hand.

- A** Second and third row seats fold flat to allow for maximum load space
- B** The 40/60 second row seat split design allows for a large load space and 3 occupants
- C** Third row seats fold flat to provide extra load space to accommodate 5 occupants
- D** 1 Seat folds flat to provide extra load space whilst accommodating 6 occupants



# YOUR OWN CONVENIENCE



## All the mod cons.

While you're having fun behind the wheel, the Isuzu MU-X has also been designed to keep your family entertained.

Reversing cameras and rear park assist sensors come standard on all MU-X models, along with touchscreen displays. An 8 speaker audio system with iPod® and Bluetooth® phone connectivity and audio streaming is standard across the MU-X range. All MU-X models feature two "Sky Sound" roof-mounted speakers that provide the ultimate audio experience for all passengers. LS-U and LS-T models boast touchscreen SatNav to get you where you're going anywhere in Australia. The top of the range LS-T provides plenty of backseat entertainment with a 10 inch monitor to keep even the most unruly of passengers entertained. The Passive Entry and Start System on LS-T models provides convenient cabin access and keyless start operation, making your getaway quick and easy.

With the MU-X, both you and your passengers will experience comfort and convenience no matter how long your drive.

- A** Get from A to B, wherever you may be, with inbuilt SatNav on LS-U and LS-T models
- B** The fold-down 10 inch monitor provides a clear image display, which can be easily viewed by both the second and third row occupants (LS-T models only)
- C** Back up with confidence, with reversing cameras and rear park assist standard across the MU-X range
- D** Passive Entry and Start System provides keyless locking and unlocking as well as an engine start/stop button (LS-T models only)

iPod® is a trademark of Apple, Inc. Bluetooth® word mark is owned by the Bluetooth SIG, Inc. Not all devices will be compatible and functionality will vary depending on the device.

\*Seats have leather touches or accents (excluding third row), but are not wholly leather.



# YOUR 5 STAR SAFETY

Peace of mind for everywhere you drive.

Your safety on the road is our priority. To ensure this, the Isuzu MU-X is fitted with the latest in sophisticated safety features. Built around a high-tensile steel passenger safety cell with side-intrusion bars, the MU-X carries comprehensive crash avoidance electronics including 4-channel 4-sensor Anti-skid Brake System (ABS) with Electronic Brakeforce Distribution (EBD) and Emergency Brake Assist (EBA) as well as Electronic Stability Control (ESC) with Hill Start Assist (HSA), Hill Descent Control (HDC) and Traction Control System (TCS).

Additional protection and peace of mind is provided with six airbags (dual front, front side and full length curtain). For the safety of those around you, all MU-X models come standard with a reversing camera and rear park assist audible sensors. These safety features work in unison to give the Isuzu MU-X a 5 star ANCAP safety rating across the range.

**DETECTING UNDERSTEER**



**DETECTING OVERSTEER**



**WITHOUT TRACTION CONTROL SYSTEM (TCS)**



**WITH TRACTION CONTROL SYSTEM (TCS)**



**INCLUDED ON ALL MU-X MODELS ELECTRONIC STABILITY CONTROL (ESC) DETECTS IF THE VEHICLE IS UNDER OR OVERSTEERING AND TRACTION CONTROL SYSTEM (TCS) ENSURES SUREFOOTED GRIP ON ALL SURFACES IN ALL CONDITIONS**



4x4 LS-T in Havana Brown mica with six airbags – dual front, front side and full length curtain standard on all models

# YOUR ISUZU UTE BENEFITS

PURCHASING AN ISUZU MU-X IS JUST THE START OF YOUR JOURNEY. YOU GET AN EVER-DEPENDABLE SUV AS WELL AS ACCESS TO SERVICES, I-VENTURE CLUB AND ACCESSORIES THAT WILL HELP YOU GO YOUR OWN WAY FOR LONGER.

## SERVICE+PLUS

<b>5</b> YEAR WARRANTY <sup>^</sup>	<b>5</b> YEARS ROADSIDE ASSIST	<b>5</b> YEARS CAPPED PRICE SERVICE <sup>^</sup>
--	-----------------------------------	---

Enjoy the ultimate peace of mind with Isuzu UTE's comprehensive Service Plus program. Every MU-X comes with a bumper-to-bumper 5 year/130,000km<sup>^</sup> warranty, complimentary 5 years Roadside Assistance to cover any unexpected bumps in your journey, and 5 years/50,000km of Capped Price Servicing<sup>^</sup> so you can enjoy 'no surprises' when servicing.

Through expert servicing with factory trained technicians, you will receive access to genuine servicing, genuine parts and genuinely great customer service. Your local Isuzu UTE service centre will keep your MU-X performing at its best to help you go your own way.



If you purchase a 4x4 MU-X you won't want to miss the opportunity to properly test its potential, and your mettle! Build your 4x4 skills and become the off-road champion you've always wanted to be with I-Venture Club. As an Isuzu UTE owner, you can sign up to exclusive trips that take you to some of Australia's most breathtaking and challenging off-road destinations.

Learn from our qualified 4x4 instructors, see the sights of some of Australia's best 4x4 tracks and come away with the skills to handle the toughest terrain an MU-X can find.

Head to [iventureclub.com.au](http://iventureclub.com.au) to get a taste of what's to come!

## GENUINE ACCESSORIES

Fit out your MU-X with Isuzu UTE Genuine Accessories to go further and tackle more challenging terrains in true go your own way style. Isuzu UTE's extensive range of MU-X genuine accessories lets you enhance and personalise your SUV with precision-engineered accessories of the highest quality that ensure the correct fit, every time. Every genuine accessory comes with a comprehensive warranty<sup>1</sup> to give you the ultimate peace of mind.

Pack more, do more or just add a little more style to your MU-X with Isuzu UTE Genuine Accessories. Check out the full range of accessories to help you go your own way, see the MU-X Genuine Accessories brochure or [isuzuute.com.au](http://isuzuute.com.au).

<sup>^</sup>5 years/130,000km whichever occurs first, for eligible customers. Excludes accessories. <sup>^</sup>The Capped Price Servicing Program ("CPS Program") applies to Eligible Vehicles with a Warranty Start Date on or after 1/1/15 at Participating Isuzu UTE Dealers only. The 5 years Capped Price Servicing covers the first 5 Scheduled Services for 16.5MY and later vehicle models for up to 5 years/50,000km (whichever occurs first). CPS Program is subject to change. For full terms & conditions and current pricing visit [isuzuute.com.au/service-plus](http://isuzuute.com.au/service-plus). <sup>1</sup>Warranty for Isuzu UTE Genuine Accessories fitted by an authorised Isuzu UTE Dealer at the point of sale of a new Isuzu UTE vehicle are covered for three (3) years or 100,000 kilometres, whichever occurs first; Isuzu UTE Genuine Accessories fitted by an authorised Isuzu UTE Dealer after the delivery of a new Isuzu UTE vehicle are covered for one (1) year or 40,000 kilometres from the date of accessory purchase, whichever occurs first; Isuzu UTE Genuine Accessories not fitted by an authorised Isuzu UTE Dealer are warranted from the date of purchase for one (1) year or 20,000 kilometres, whichever occurs first. Further details on warranties and associated disclaimers are available from Isuzu UTE Australia Pty Ltd upon request.

4x4 LS-T in Titanium Silver metallic fitted with optional Isuzu UTE Genuine Accessories

# YOUR CHOICE

WITH A RELIABLE AND FUEL EFFICIENT 3.0L TURBO DIESEL ENGINE, ADVANCED SAFETY FEATURES AND 3 TONNE\* BRAKED TOWING CAPACITY STANDARD ACROSS ALL MODELS, THE MU-X IS READY FOR YOU TO GO YOUR OWN WAY.



4x4 LS-T in Havana Brown mica

## MU-X LS-M

OUR ENTRY-LEVEL LS-M IS PERFECTLY SUITED TO THOSE LOOKING FOR A NO-NONSENSE, ALL-PURPOSE SUV. WHILE STYLISH FOR CITY STREETS, THE LS-M WILL BE RIGHT AT HOME ON A WORKSITE OR FARM WHERE THE ROUGH-AND-TUMBLE OF EVERYDAY LIFE WILL BE TAKEN IN ITS STRIDE.



### DRIVETRAIN OPTIONS

4X2 4X4

### TRANSMISSION OPTIONS

MT AT

### LS-M KEY FEATURES

Touchscreen audio system with USB and Bluetooth® audio streaming

Reversing camera with rear park assist sensors

LED daytime running lights

Bi-LED projector headlights

16" alloy wheels with full size spare steel wheel

All Terrain tyres 245/70 R16

Colour-coded side mirrors and door handles

Gun metallic front grille

Manual air conditioning with integrated heater/demister

Bee sting aerial

## MU-X LS-U

THE MID-RANGE LS-U IS OUR FAMILY ALL-ROUNDER. THE LS-U INTRODUCES MORE OF THE STYLING AND FEATURES YOU HAVE COME TO EXPECT FROM A FAMILY SUV LIKE SATNAV AND A REVERSING CAMERA, MAKING IT THE IDEAL RUN AROUND DURING THE WEEK WITH THE FLEXIBILITY TO GET AWAY WHEN FRIDAY AFTERNOON ROLLS AROUND.



### DRIVETRAIN OPTIONS

4X2 4X4

### TRANSMISSION OPTIONS

MT AT

### LS-U KEY FEATURES

Touchscreen audio system with USB and Bluetooth® audio streaming

SatNav

Reversing camera with rear park assist sensors

LED daytime running lights

Bi-LED projector headlights

Front fog lights

18" alloy wheels with full size spare alloy wheel

All Terrain tyres 255/60 R18

Chrome exterior styling front grille, side mirrors and door handles

Side steps

Climate control airconditioning with integrated heater/demister

Rear cabin cooling vents

Privacy glass - rear doors, quarter and tailgate windows

Shark fin roof-mounted aerial

## MU-X LS-T

OUR RANGE TOPPING LS-T TAKES THE COMFORT AND CONVENIENCE LEVELS UP ANOTHER NOTCH. WITH STANDARD FEATURES LIKE LEATHER ACCENTED SEATS\*, PASSIVE ENTRY AND START SYSTEM, AND A REAR DVD PLAYER, EVERY JOURNEY WILL NOT ONLY BE COMFORTABLE, BUT A FUN ONE TOO.



### DRIVETRAIN OPTIONS

4X2 4X4

### TRANSMISSION OPTIONS

AT

### LS-T ON TOP OF LS-U FEATURES

Leather accented seats\*

Passive Entry and Start System

Six-way adjustable electric driver's seat

Roof rails

Tailgate spoiler

Chrome muffler tip

10" rear monitor display

All features mentioned are a guide for quick comparison. Refer to the MU-X specification sheet for further details on available features. The Bluetooth® word mark is owned by Bluetooth SIG, Inc. Not all devices will be compatible and functionality will vary depending on the device. \*Braked towing on all MU-X models when fitted with optional genuine Isuzu MU-X tow bar kit. \*Seats have leather touches or accents (excluding third row), but are not wholly leather.



**ISUZU**  
UTE

**GO YOUR  
OWN WAY**

[www.isuzuute.com.au](http://www.isuzuute.com.au) Toll Free: 1300 147 898

This brochure should be read with the Isuzu MU-X specification insert. Isuzu UTE Australia Pty Ltd (ABN 80 129 563 739, 1000 Wynnum Road, Cannon Hill, Queensland, 4170, Australia) reserves the right to change specifications and content without notice, subject to any applicable Federal, State or Territory laws or regulations which may apply. Any accessories shown herein are illustrative and generally are extra-cost optional, not standard equipment. Colours depicted herein may differ from actual due to the printing process. Please refer to [isuzuute.com.au](http://isuzuute.com.au) or consult your authorised Isuzu UTE Dealer for current availability of models, options, specifications, colours and Isuzu UTE Genuine Accessories. No part of this brochure can be reproduced without the written permission from Isuzu UTE Australia.

All information is true and correct at the time of publishing, April 2017. Printed in Australia. © Copyright Isuzu UTE Australia Pty Ltd 2017.  
Part No.: 5563756050 – 17MY MU-X SALES BROCHURE



# SPECIFICATIONS



## Engine

Series	Isuzu 4JJ1-TC Hi-Power
Description	3.0 litre turbo diesel, in-line 4-cylinder, DOHC, 16-valve with Diesel Particulate Diffuser (DPD)
Maximum torque	430Nm @ 2000→2200 rpm (automatic and manual)
Maximum power	130kW @ 3600 rpm
Bore x stroke	95.4mm x 104.9mm
Displacement	2999cc
Compression ratio	16.3 : 1
Cylinder head	Isuzu-patent special aluminium alloy
Valve gear	Chain-driven dual overhead camshafts, roller rockers, 4 valves/cylinder
Induction	Electronic high pressure common rail direct fuel injection with VSS (Variable Swirl System) and intercooled VGS (Variable Geometry System) turbo charger
Cylinder block	Cast iron upper with induction-hardened cylinder bores, cast alloy lower
Emission level	Euro5
Alternator	120 amp with Intelligent Battery Sensor (IBS)

## Transmissions

Manual	Isuzu MVL-6N 6-speed manual with high torque capacity and output reduction, 275mm diameter clutch plate		
Automatic	Aisin AWR6B45II 6-speed with sequential shift and brake shift lock electronically controlled, tri-mode with Adaptive Logic Control and fuel-saving lock-up torque converter on gears 3, 4, 5 and 6 <ul style="list-style-type: none"> <li>Uphill/Downhill Transmission Control System: holds gear in varied-gradient ascents, selects gear on steep descents to hold speed with engine braking</li> </ul>		
Ratios: 1		<b>6-speed Manual</b>	<b>6-speed Automatic</b>
	1st	4.942	3.600
	2nd	2.430	2.092
	3rd	1.428	1.488
	4th	1.000	1.000
	5th	0.749	0.687
	6th	0.634	0.580
	Reverse	4.597	3.732
Final drive	4x2	3.727	3.727
	4x4	3.727	3.727
	Snorkelled diff breathers to increase fording depth and reduce mud blockage		
Transfer gearing	4x4 low-range	2.482	2.482
	4x4 high-range	1.000	1.000
4x4 system	"Terrain Command" control with 'shift on the fly' 2-high↔4-high selection at up to 100km/h		
Drivetrain system	TCS (Traction Control System) on all model variants		

## Steering

Engine-speed-sensitive variable capacity power-assisted rack and pinion system; 3.84 turns lock-to-lock via tilt-adjustable steering wheel

## Chassis

Separate, full-length heavy-duty ladder construction chassis

## Front suspension

Independent, high-ride, coil springs, gas shock absorbers, upper and lower wishbones, stabiliser bar

## Rear suspension

Multi-link coil suspension, gas shock absorbers, stabiliser bar

## Axles

### Front

Independent. 4x4: fully floating with outer CV and inner double offset joints and equal driveshafts  
Gross Axle Weight: 1350kg

### Rear

Rigid semi-floating banjo with hypoid final drive  
Gross Axle Weight: 1600kg

## Brakes

Anti-lock Brake System (ABS) with Electronic Brakeforce Distribution (EBD), Electronic Stability Control (ESC), Emergency Brake Assist (EBA), Hill Start Assist (HSA) and Hill Descent Control (HDC)

Power-assisted via 10.5" servo unit; 300mm dia. ventilated front discs with 2-piston calipers, 318mm rear disc brakes

Central pull up park brake

## Wheels and Tyres

### LS-M

16"x 7" alloy; 245 / 70 R16 All Terrain

### LS-U

18"x 7" alloy; 255 / 60 R18 All Terrain

### LS-T

18"x 7" alloy; 255 / 60 R18 All Terrain

(Full size spare wheel – alloy on LS-U/LS-T and steel on LS-M)

## Service Plus



### Warranty

For the ultimate peace of mind, every Isuzu MU-X comes standard with a comprehensive, bumper-to-bumper 5 year/130,000km<sup>^</sup> warranty.

### Roadside Assistance

Complimentary with every new MU-X is 5 years roadside assistance.

### Capped Price Servicing

As an owner you will get access to our Capped Price Servicing<sup>^</sup> Program. The CPS Program covers the first 5 Scheduled Services in line with the Scheduled Service Intervals.

<sup>^</sup>5 years/130,000km whichever occurs first, for eligible customers. Excludes accessories.  
<sup>^</sup>The Capped Price Servicing Program ("CPS Program") applies to Eligible Vehicles with a Warranty Start Date on or after 1/1/15 at Participating Isuzu UTE Dealers only. The 5 years Capped Price Servicing covers the first 5 Scheduled Services for 16.5MY and later vehicle models for up to 5 years/50,000km (whichever occurs first). CPS Program is subject to change. For full terms & conditions and current pricing visit [isuzuute.com.au/service-plus](http://isuzuute.com.au/service-plus).



# MU-X FEATURES AND SPECIFICATIONS

## Description

Description	4x2			4x4		
	MU-X LS-M	MU-X LS-U	MU-X LS-T	MU-X LS-M	MU-X LS-U	MU-X LS-T
<b>Engine</b>						
2999cc DOHC 4cyl. with intercooled turbo charger (430Nm, 130kW)	●	●	●	●	●	●
<b>Transmissions</b>						
6-speed manual transmission				●	●	
6-speed "Rev-Tronic" automatic transmission with sequential sport mode	●	●	●	●	●	●
<b>Safety and Security</b>						
4-channel 4-sensor Anti-skid Brake System (ABS) with Electronic Brakeforce Distribution (EBD)	●	●	●	●	●	●
Electronic Stability Control (ESC)	●	●	●	●	●	●
Traction Control System (TCS)	●	●	●	●	●	●
Emergency Brake Assist (EBA)	●	●	●	●	●	●
Hill Start Assist (HSA)	●	●	●	●	●	●
Hill Descent Control (HDC)	●	●	●	●	●	●
Reversing camera	●	●	●	●	●	●
Rear park assist sensors	●	●	●	●	●	●
6 airbags: dual front, front side and full length curtain	●	●	●	●	●	●
Height-adjustable upper mounts for front seat belts	●	●	●	●	●	●
Audible and visual front seat belt warnings	●	●	●	●	●	●
Dual pre-tensioners with load limiters for front seat belts	●	●	●	●	●	●
3-point retractable seat belts for all seating positions	●	●	●	●	●	●
Emergency locking retractor (ELR) for all seat belts	●	●	●	●	●	●
Automatic locking retractor (ALR) for front passenger and 2nd row seatbelts including centre seat	●	●	●	●	●	●
Three childseat tethers and ISO FIX compatible anchor points for 2nd row seats	●	●	●	●	●	●
Child-proof rear door locks	●	●	●	●	●	●
Side anti-intrusion bars inside side doors	●	●	●	●	●	●
Engine immobilizer	●	●	●	●	●	●
Anti-theft alarm system	●	●	●	●	●	●
Warning alarm: headlights or parking lights on with ignition key removed	●	●	●	●	●	●
Rear window demister with timer	●	●	●	●	●	●
High Density Polyethylene (HDPE) fuel tank	●	●	●	●	●	●
High mount centre LED brake light	●	●	●	●	●	●
Dual horn	●	●	●	●	●	●
<b>Protection</b>						
Under-front steel plate skid/splash shield	●	●	●	●	●	●
Steel plate guards: sump and transfer case				●	●	●
<b>Suspension and Brakes</b>						
Front coil suspension with gas filled shock absorbers	●	●	●	●	●	●
Rear multi-link coil suspension with gas filled shock absorbers and stabiliser bar	●	●	●	●	●	●
300mm front ventilated discs brakes with twin-pot calipers	●	●	●	●	●	●
318mm rear solid disc brakes	●	●	●	●	●	●
<b>Seating</b>						
Front bucket whiplash protection seats	●	●	●	●	●	●
Leather accented seats (first and second row seats have leather touches or accents, but are not wholly leather)			●			●
Six-way adjustable electric driver's seat			●			●
Height-adjustable driver's seat	●	●	●	●	●	●
60:40 split-fold 2nd row seats with fold away centre arm rest	●	●	●	●	●	●
50:50 split-fold 3rd row seats (not available for ISO FIX)	●	●	●	●	●	●
Adjustable headrests for all seats including centre seat	●	●	●	●	●	●
<b>In-cabin Storage</b>						
Glovebox with light	●	●	●	●	●	●
Power outlet in glovebox and in rear cargo area	●	●	●	●	●	●
Centre console with two cup holders and removable ash container	●	●	●	●	●	●
Dual-purpose driver and front passenger cup holder tray	●	●	●	●	●	●
Rear passenger door cup holders	●	●	●	●	●	●
Overhead console with twin map lights and flip-down sunglasses holder case	●	●	●	●	●	●
Front door storage compartment with bottle bulge	●	●	●	●	●	●
Two coat hooks	●	●	●	●	●	●
Rear cargo organiser box	●	●	●	●	●	●

# MU-X FEATURES AND SPECIFICATIONS

Description	4x2			4x4		
	MU-X LS-M	MU-X LS-U	MU-X LS-T	MU-X LS-M	MU-X LS-U	MU-X LS-T
<b>Exterior Style</b>						
Bi-LED projector headlights with auto-levelling feature	●	●	●	●	●	●
LED Daytime Running Lights	●	●	●	●	●	●
Front fog lights		●	●		●	●
Chrome radiator grille		●	●		●	●
Gun metal grey radiator grille	●			●		
Aluminium side steps		●	●		●	●
Chrome door handles with touch sensor opening and push button locking (driver side)			●			●
Chrome door handles		●	●		●	●
Colour-coded door handles	●			●		
Chrome fold-in power door mirrors with integrated turn indicators		●	●		●	●
Colour-coded power door mirrors with integrated turn indicators	●			●		
Colour-coded centre rear roof-mounted shark fin aerial		●	●		●	●
Centre front roof-mounted bee-sting aerial	●			●		
Privacy glass - rear doors, quarter and tailgate windows		●	●		●	●
Roof rails (maximum load capacity 60kg)			●			●
Enhanced style featuring tailgate spoiler and muffler cutter			●			●
<b>Cabin Amenities</b>						
Climate control air conditioning with integrated heater/demister		●	●		●	●
Manual air conditioning with integrated heater/demister	●			●		
Rear cabin cooling vents		●	●		●	●
Pollen and fine particle air filter	●	●	●	●	●	●
Power windows with one-touch up/down, driver's window with safety stop and delay closing	●	●	●	●	●	●
Central locking with keyless entry	●	●	●	●	●	●
Passive Entry and Start System			●			●
Power-adjustable door mirrors with turn indicator lights	●	●	●	●	●	●
Cruise control	●	●	●	●	●	●
*Sky Sound® roof-mounted sound system with 8 speakers (mounted in roof, front dash, front and rear doors)	●	●	●	●	●	●
7" Touchscreen DVD/CD/MP3/FM/AM/AUX audio unit with USB, iPod® input and Bluetooth® audio streaming	●			●		
8" Touchscreen DVD/CD/MP3/FM/AM/AUX audio unit with USB, iPod® input and Bluetooth® audio streaming		●	●		●	●
Built-in satellite navigation		●	●		●	●
Back seat USB charging port	●	●	●	●	●	●
Roof mounted 10" DVD entertainment monitor			●			●
Tilt-adjustable steering wheel with power steering	●	●	●	●	●	●
Leather wrapped steering wheel with easy select cruise and audio controls	●	●	●	●	●	●
Multi-Information Display (MID): fuel economy, gear shift indicator <sup>1</sup> , odometer, trip odometer A and B, DPD operator regeneration indicator, fuel range and service reminder	●	●	●	●	●	●
Electro-luminescent gauges	●	●	●	●	●	●
*Terrain command® 4WD select dial (2WD-high, 4WD-high and 4WD-low)				●	●	●
Windscreen wipers with variable intermittent sweep modes	●	●	●	●	●	●
Rear window wiper	●	●	●	●	●	●
Day/night interior rear view mirror	●	●	●	●	●	●
Sun visors with vanity mirror (driver and passenger) and ticket retaining strap (driver)	●	●	●	●	●	●
Fixed A-pillar assist-grips for driver and front passenger	●	●	●	●	●	●
Roof mounted retractable door assist-grips for front and rear doors	●	●	●	●	●	●
3rd row assist-grips	●	●	●	●	●	●
Carpet flooring	●	●	●	●	●	●

iPod® is a trademark of Apple Inc. The Bluetooth® word mark is owned by Bluetooth SIG, Inc. Not all devices will be compatible and functionality will vary depending on the device.

<sup>1</sup>Available on manual transmission vehicles only.

# MU-X FUEL, WEIGHTS AND DIMENSIONS

Description	4x2			4x4		
	MU-X LS-M	MU-X LS-U	MU-X LS-T	MU-X LS-M	MU-X LS-U	MU-X LS-T
<b>MU-X ADR 81/02<sup>a</sup> Fuel Consumption Values</b>						
Transmission (MT = Manual, AT = Automatic)	AT	AT	AT	MT / AT	MT / AT	AT
<b>FUEL CONSUMPTION (litres/100km)</b>						
Combined	8.0	8.1	8.1	8.1/8.1	7.9/7.9	7.9
Urban	9.8	9.9	9.9	10.1/9.9	9.6/9.5	9.5
Extra Urban	7.0	7.1	7.1	6.9/7.1	6.8/7.0	7.0
<b>CO<sup>2</sup> (g/km)</b>						
Combined	211	214	214	212/214	208/209	209
Urban	259	262	262	265/262	252/250	250
Extra Urban	184	186	186	181/186	179/183	183
<b>Dimensions (mm unless stated otherwise)</b>						
Wheelbase	2845	2845	2845	2845	2845	2845
Overall length	4825	4825	4825	4825	4825	4825
Overall width (excluding door mirrors)	1860	1860	1860	1860	1860	1860
Overall height	1825	1860	1860	1825	1860	1860
Front overhang	905	905	905	905	905	905
Rear overhang	1075	1075	1075	1075	1075	1075
Front / Rear track	1570	1570	1570	1570	1570	1570
Ground clearance	220	230	230	220	230	230
Turning circle diameter between kerbs (metres)	11.6	11.6	11.6	11.6	11.6	11.6
Approach angle	23.3°	24.0°	24.0°	23.3°	24.0°	24.0°
Departure angle	24.6°	25.1°	25.1°	24.6°	25.1°	25.1°
Ramp-over angle	18.7°	19.5°	19.5°	18.7°	19.5°	19.5°
<b>Interior (mm)</b>						
Leg room - front	1106	1106	1106	1106	1106	1106
Leg room - 2nd	915	915	915	915	915	915
Leg room - 3rd	815	815	815	815	815	815
Shoulder room - front	1458	1458	1458	1458	1458	1458
Shoulder room - 2nd	1453	1453	1453	1453	1453	1453
Shoulder room - 3rd	1340	1340	1340	1340	1340	1340
Head room - front	1009	1009	1009	1009	1009	1009
Head room - 2nd	980	980	980	980	980	980
Head room - 3rd	929	929	929	929	929	929
Cargo volume - 2nd and 3rd row seats folded flat (litres)	1830	1830	1830	1830	1830	1830
Cargo volume - 3rd row seats folded flat (litres)	878	878	878	878	878	878
Cargo volume - behind 3rd row seats (litres)	235	235	235	235	235	235
<b>Mass (kg)</b>						
Gross Vehicle Mass (GVM)	2650	2650	2650	2750	2750	2750
Tare mass <sup>†</sup>	1945	1995	2015	2025/2045	2075/2095	2110
Kerb weight <sup>‡</sup>	1992	2042	2062	2072/2092	2122/2142	2157
Payload <sup>‡</sup>	658	608	588	678/658	628/608	593
Gross Combination Mass (GCM)	5650	5650	5650	5750	5750	5750
Maximum towing mass (braked trailer)	3000	3000	3000	3000	3000	3000
Maximum towing mass (non-braked trailer)	750	750	750	750	750	750
Maximum tow ball download (fitted with genuine Isuzu UTE tow kit)	300	300	300	300	300	300
Fuel tank capacity (litres)	65	65	65	65	65	65

<sup>a</sup>Fuel consumption and emissions figures based on ADR 81/02 and are to be used for vehicle comparison purposes only. Actual fuel consumption and emissions will vary depending on many factors including, but not limited to, traffic conditions, individual driving style and vehicle condition.  
<sup>†</sup>Tare mass - unladen mass of vehicle and 10 litres of fuel. <sup>‡</sup>Kerb weight - tare mass plus full tank of fuel. Fuel weight ratio is based on Fuel Standard (Automotive Diesel) Determination 2001. <sup>‡</sup>Payload - GVM minus kerb weight.

# MU-X BODY STYLES AND DIMENSIONS

## ISUZU MU-X LS-M

4x2 and 4x4



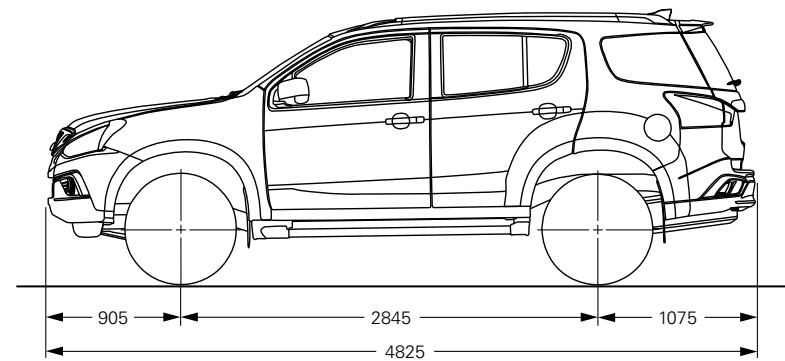
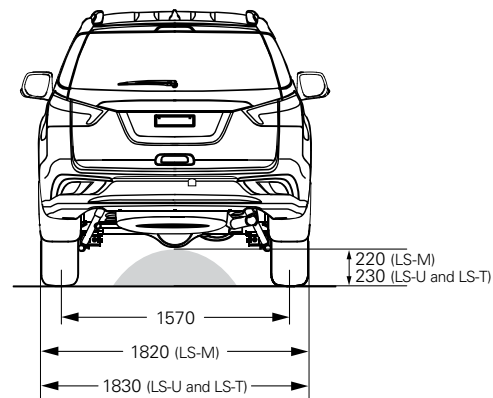
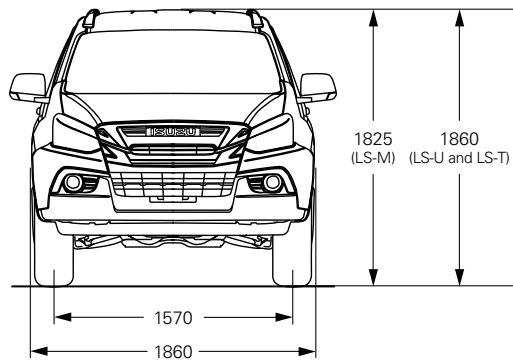
## ISUZU MU-X LS-U

4x2 and 4x4



## ISUZU MU-X LS-T

4x2 and 4x4



# MU-X COLOUR AND TRIM OPTIONS



Cosmic Black mica



Obsidian Grey mica



Havana Brown mica



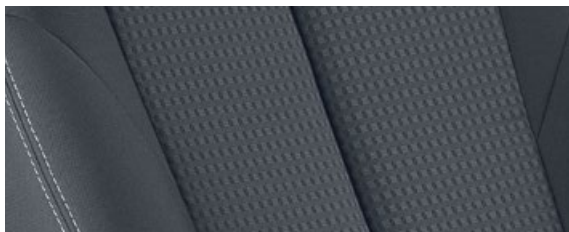
Silky White pearl



Splash White



Titanium Silver metallic



**LS-M / LS-U**  
Dark Grey Cloth



**LS-T**  
Black Leather\*

Please read with Isuzu MU-X 17MY vehicle brochure. All information is true and correct at the time of publishing, April 2017. Isuzu UTE Australia reserves the right to change specifications and features at any time. Colours depicted herein may differ from actual due to the printing process. Please refer to [isuzuute.com.au](http://isuzuute.com.au) or consult your authorised Isuzu UTE Dealer for current availability of models, options, specifications, colours and Isuzu UTE Genuine Accessories.

\*Seats have leather touches or accents (excluding third row), but are not wholly leather.



**GO YOUR OWN WAY**