

# CAMPSTER!

Eine Marke der Pössl Freizeit und Sport GmbH



The One for All





Adjustable pilot seats invite for breaks.



The interior is functional and clearly defined.



The kitchen offers everything a star chef would need.



Large movable table for Breaks.

## Living Space

The spacious interior of the CAMPSTER has been conceived to turn a voyage into pure joy. Every passenger on board enjoys a high level of comfort. Long trips, elaborate voyages or even shorter outings turn to moments of enjoyment and sheer conviviality.

The swivel seats and the sliding 2-seater bench enable seating vis à vis at the destination. The bed measures of 1.14 m x 1.99 m guarantee relaxing sleep. This space widens to 1.50 m width when the Kitchen Element is removed.

The groceries can be stored in and easily taken out of the large cooling box and prepared on the 2-flame gas hob. After meals the dishes are washed in the sink of the Kitchen Element. A cupboard in the Kitchen Element, a wardrobe and another wardrobe in the rear provide plenty of storage space.



Travelling



Living



Sleeping





The CAMPSTER offers a lot of storage space in the rear.

## It is its variability, flexibility and thought-through concept, which makes this van so unique.

Enormously practical: There are numerous options available for the CAMPSTER, which will make your all-day life with your van so much easier: GPS Navigation with HU Display or the sensor-controlled electric sliding doors\*, which open and close remotely.



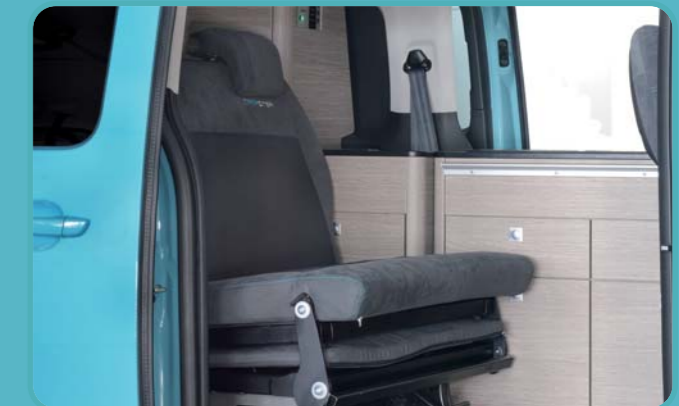
Large sleeping space and plenty of room for storage.



Loads of useful details, which ease travelling.



Detachable Kitchen Element.



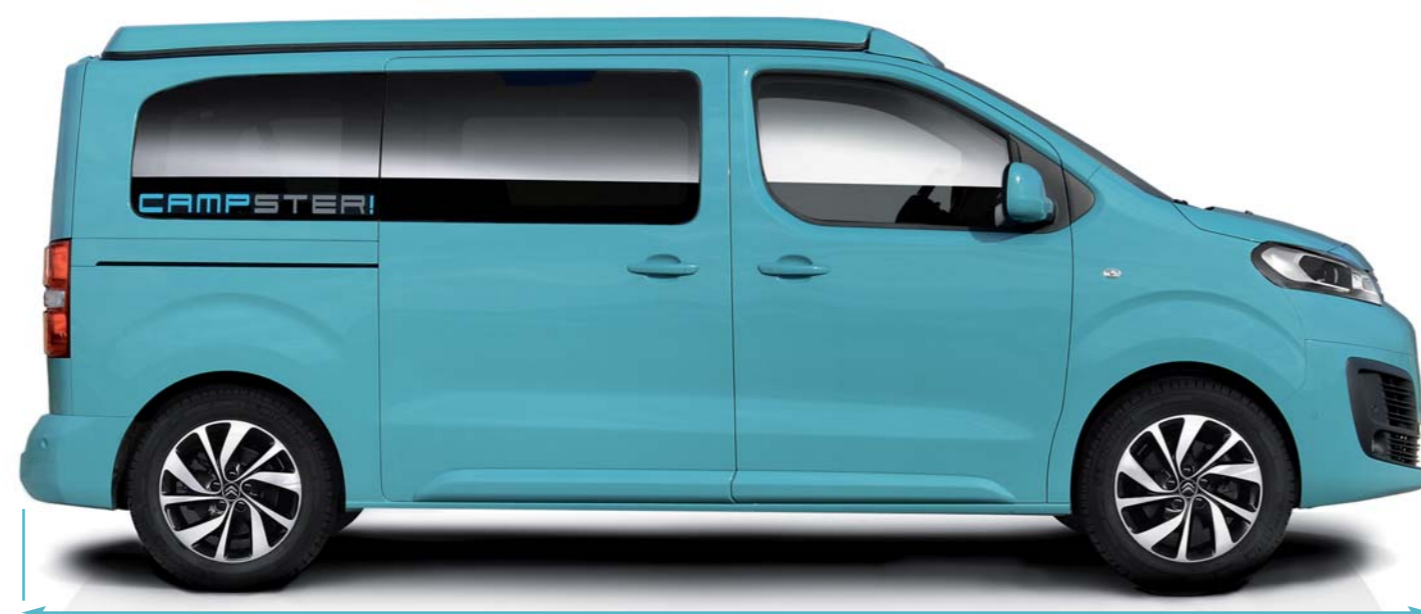
Only one of many seating variations.



1,96 m



4,95 m



# CAMPSTER!

Height	1,96 - 1,99 m*
Width	1,92 m
Length	4,95 m
Total Weight	2.600 - 3.100 kg*
Payload	500 - 800 kg*
Seats	up to 7
Sleeping Space	up to 4

\*Option



Technology, which delivers support on long journeys.

## Technical Data and Details



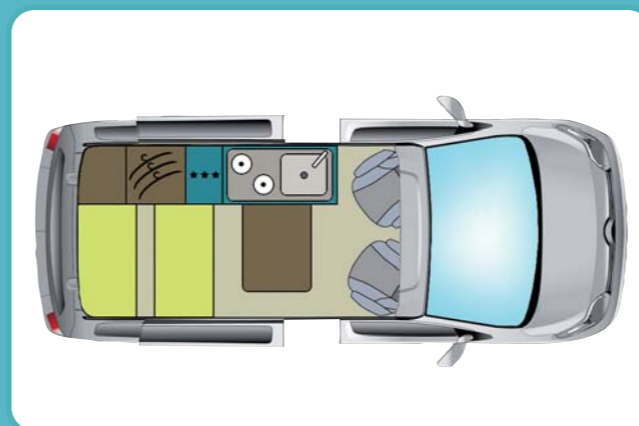
The Panorama-Raising Roof is unique.



Divided Rear Door for quicker loading.



Storage space is not an issue for the CAMPSTER.



Layout



Functions, which ease your all-day life.

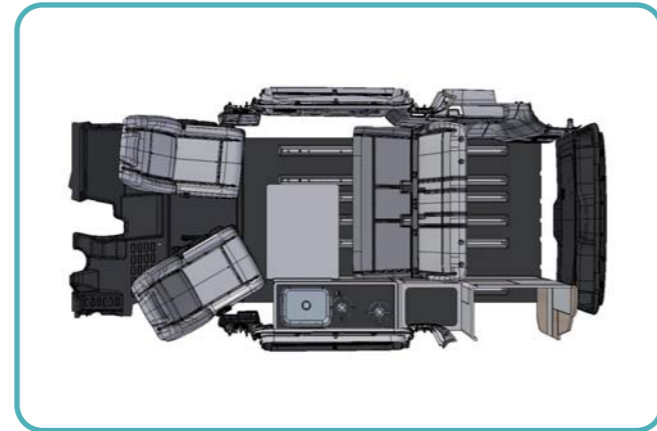


The dash board layout is clear and comprehensive.

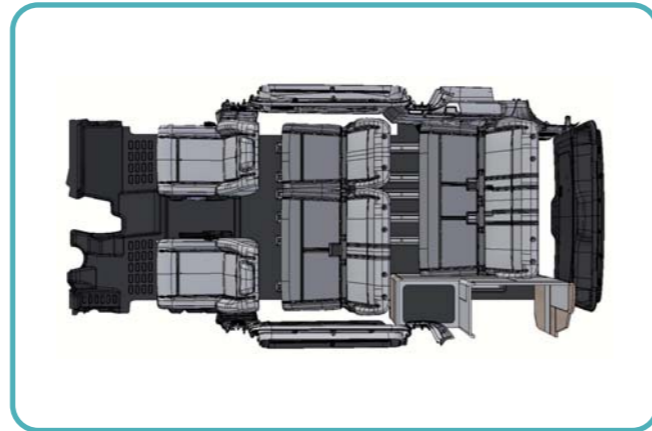


# Its Versatility

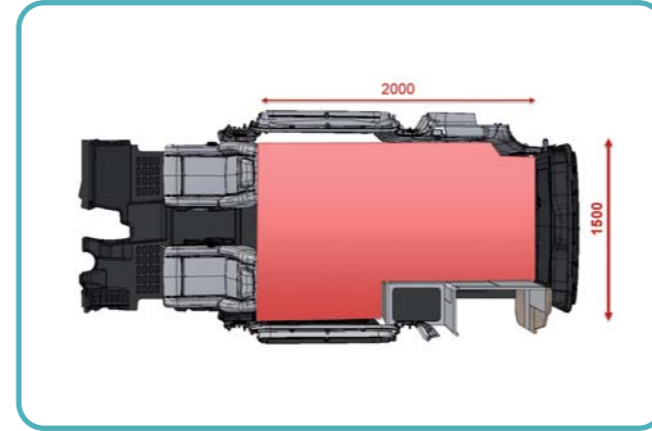
The absolute strength of the CAMPSTER!



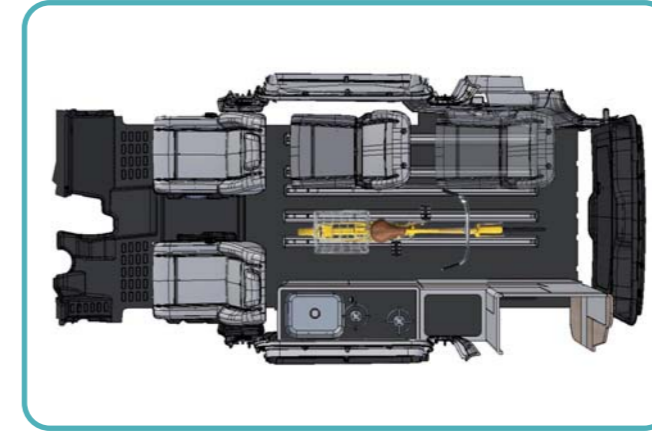
5 seats with kitchen



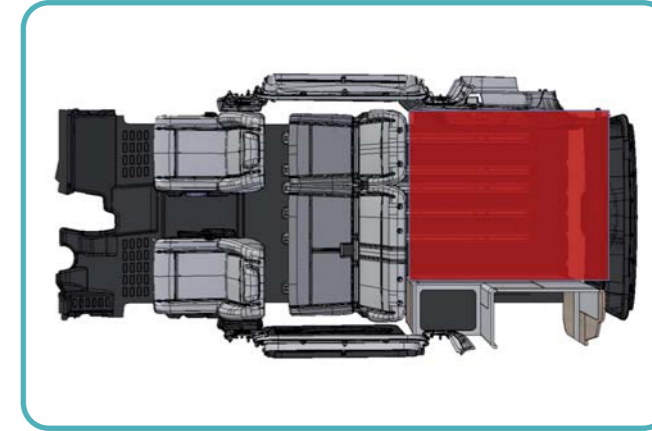
7 seats on journeys



Extra-large Sleeping Space



3 - 4 Seats and Bikes



5 Seats and large storage space

# Removable Kitchen Element

The Kitchen Element is detachable inclusive hob, gas bottle and small water tank.



# Standard Equipment

- ABS & ESC
- automatic Bizona Air Con
- Extra Air Con in rear
- Driver- and Passenger Air Bag
- Driver and Passenger Seat swivable
- Lateral and Head Air Bags in 1st Row
- Driver Alert
- Front and Rear Bumpers in vehicle colour
- Vehicle sidebars in vehicle colour
- Central Locking with remote
- Wing Mirrors and Door Handles in vehicle colours
- Passive Tyre Pressure Sensor
- Steel Rims 17" with Wheel Trims
- Hill Assist
- Spare Tyre with Repair Set
- Electric Windows with comfort controls in 1st Row
- On-Board Computer on dash board
- Vision Package (Rain Sensor, Light Sensor, automatically dimming rear mirror)
- Sun Shades in the doors of 2nd Row
- Sun Shades with lighting
- Right Sliding Door manual
- Fog Lights with automatic curve headlight adjustment
- LED Daytime Running Lights
- Cruise Control with Speed Limiter
- Electric Wing Mirrors, adjustable and heated
- Panorama Raising Roof with comfort mattress
- Detachable Kitchen Element with hob and sink
- Seat Bench in 2nd Row convertible into a bed
- High-Quality interior furniture built with plenty of storage
- Audio Equipment RD6 with Bluetooth Phone Hands-Free function and USB
- Additional foldable tables behind seats in 1st Row
- Side Windows in 2nd and 3rd Row, plus Rear Window with stronger tint
- Height- and depth adjustable steering wheel
- Heated Rear Door with wiper and with a rear window, to be opened separately
- Rear Window erectable

# Technical Data / Prices

	1.6   BlueHDI 95	1.6   BlueHDI S&S 115	2.0   BlueHDI S&S 150	2.0   BlueHDI S&S 180 EAT6
Emission Norm	Euro 6	Euro 6	Euro 6	Euro 6
Power KW (PS)	70 (95)	85 (115)	110 (150)	130 (180)
Gear Box	5-speed manual	6-speed manual	6-speed manual	6-speed automatic
Maximum Speed	145 km/h	160 km/h	170 km/h	170 km/h
Length (m)	4,95	4,95	4,95	4,95
Width (m)	1,92	1,92	1,92	1,92
Height (m)	1,96 - 1,99	1,96 - 1,99	1,96 - 1,99	1,96 - 1,99
Total Weight (kg)	2.600 - 3.100	2.600 - 3.100	2.600 - 3.100	2.600 - 3.100
Payload (kg)	500 - 800	500 - 800	500 - 800	500 - 800
Max. No. of Seats	up to 7	up to 7	up to 7	up to 7
Max No. of Sleeping Places	up to 4	up to 4	up to 4	up to 4
Fuel Tank (Litre)	70	70	70	70
Standard Tyres 17"	215/60R17C 98R	215/60R17C 98R	215/60R17C 98R	215/60R17C 98R

# Optionen

Sliding Door, left, manual

Side Windows in 2nd and 3rd Row with extra tint, Rear Window with stronger tint

Alloy Wheels 17 "

Head-Up Display

Wing Mirror foldable

Lighting Package (Xenon Headlights, automated headlight cleaning)

Drive-Assist-Package (Tracking Assistance, Street Sign Recognition, Driver Assistance, automated full beam)

**Security Package 1**

Adaptive Cruise Control with Limiter, Front Collision Warning, Active Safety-Brake

**Security Package 3**

Adaptive Cruise Control with Limiter, Front Collision Warning, Active Safety-Brake and Citroen Connect NAV and DAB

**Security Package 5**

Adaptive Cruise Control with Limiter, Front Collision Warning, Active Safety-Brake + Parking Assistance, acoustic, with rear view camera and 7" Touchscreen (Rea View Camera with 180° aerial perspective and zoom function) with Citroen Connect NAV and DAB

Payload boost 3,100 kg

Parking Assistance rear

Parking Assistance rear and front, acoustic, with rear view camera and 7" Touchscreen (Rea View Camera with 180° aerial perspective and zoom function)

Raising Roof in vehicle colour (plain coloured, except white)

Metallic finish, incl. Raising Roof

Onyx Black Finish, incl. Raising Roof

1st Row: Driver and Passenger seats height-adjustable with arm rests

Audio Equipment RCC DAB (7" Touchscreen, 2 speaker boxes, USB, 2x 12 V sockets, Bluetooth Phone hands-off function)

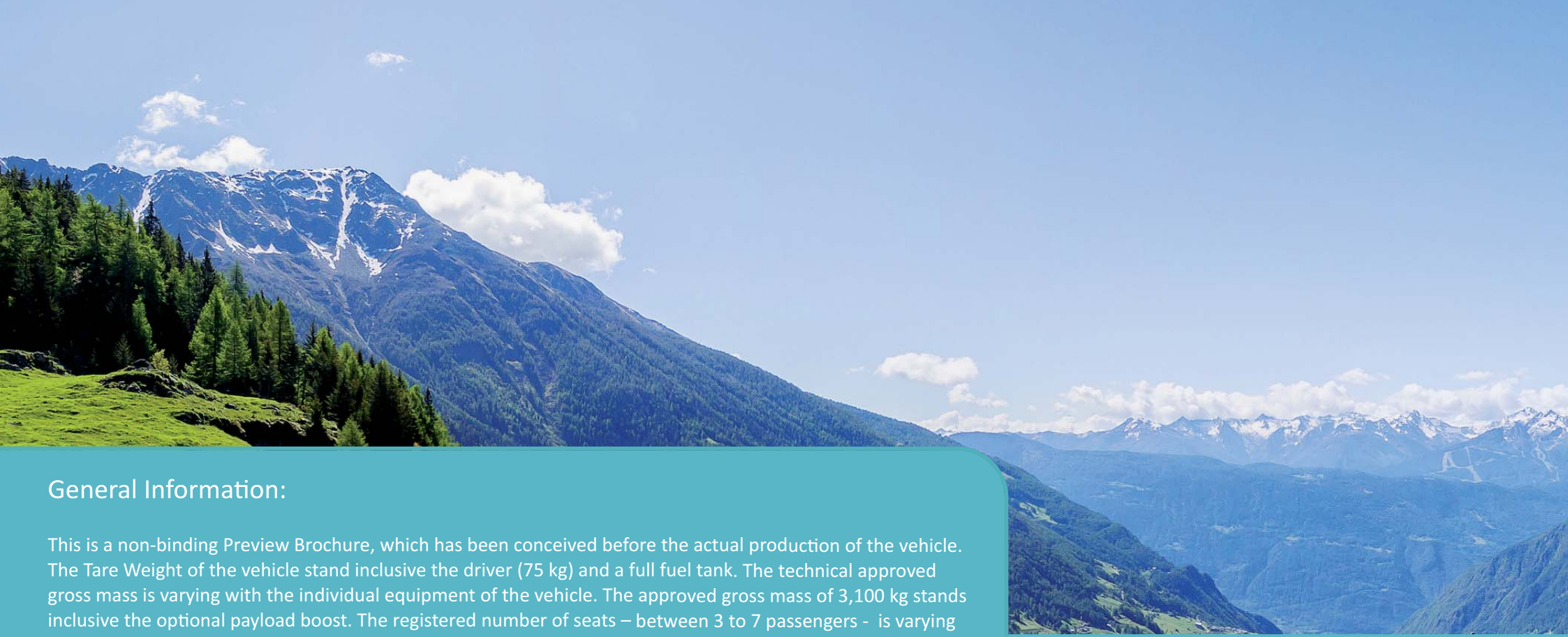
Width Extension Bed

Pilot Seat Covers

Webasto Air Heating

Detachable Cooling Box





## General Information:

This is a non-binding Preview Brochure, which has been conceived before the actual production of the vehicle. The Tare Weight of the vehicle stand inclusive the driver (75 kg) and a full fuel tank. The technical approved gross mass is varying with the individual equipment of the vehicle. The approved gross mass of 3,100 kg stands inclusive the optional payload boost. The registered number of seats – between 3 to 7 passengers - is varying with the individual equipment of the vehicle. The schematics and pictures in this brochure can in part show standard equipment. The stated information concerning extend of delivery, look, performance, measurements and weights are valid at the time of the layout and pre-press of this brochure and conform with EU Homologation Regulations. Until the purchase of the vehicle and its delivery this data is subject to change. Deviations inside the framework of manufacture tolerances (+/- 5% at maximum) are possible and permissible. This brochure conforms to the layout and pre-press July 2016.

# CAMPSTER!

Eine Marke der Pössl Freizeit und Sport GmbH

[www.poessl-mobile.de](http://www.poessl-mobile.de)

