



New Dacia Duster



Welcome to Dacia

You've probably realised by now, but we're not your usual car brand. We began with the dream that more people should have the opportunity to own a new car. To make it a reality we created a range that combines space and quality at an unbelievable price. We believe in function over frivolity and that by being simple, reliable and smart we can make a real difference.

Dacia's are cleverly designed, reassuringly robust and incredibly reliable. They're also shockingly affordable because we only ask drivers to pay for what they need, not the fancy extras they'll never use. It's an approach that has rewarded us with incredible growth across Europe since 2004 and won us more awards than we know what to do with.

We hope you like what you see and will join us in the Dacia family.



Our awards

We don't tend to make a song and dance about our cars. It's not our way. But that's fine, because lots of people are happy to do it for us.

When it launched in the UK in 2013, the Dacia Sandero won the What Car? Best Small Car Under £12,000 award. It's gone on to win it every single year since.

Dacia's been voted 4th best car brand from 32 other brands in the most recent Auto Express, Driver Power Survey, and has been in the top five since 2014. In the same survey, Dacia Logan MCV was voted the best family car. Not too shabby eh?

Dacia was also voted the 4th most reliable car brand in the 2016 Which? Car Survey – receiving a 90% satisfaction score based on feedback from more than 59,000 UK car owners reliability survey.

Dacia was awarded a Silver Award in the recent Auto Express Driver Power survey for Dealer Aftersales Service Satisfaction showing our commitment to customer service.

It just goes to show – if you refuse to compromise, anything is possible.



Best Family Car

Gold Winner

Dacia Logan MCV



Dealer Service and Repair Experience

Silver Winner

Dacia

Introducing New Dacia Duster

Rugged, robust, no-nonsense: these are words to describe New Dacia Duster. It's a car to help you take on any challenge.

Practicality and functionality are at the heart of New Duster's clever design. It can carry up to 5 people and has up to 475 litres* of boot space to house their luggage. With the back seats folded down, New Duster's load capacity expands up to 1,636 litres*. Useful? Thought so.

The design turns heads but there's function behind the form, too. All versions come with ABS and ESC (Electronic Stability Control) as standard. New Duster's high ground clearance and wide approach and departure angles are designed to tackle difficult obstacles over tough terrain. Beneath the surface, a selectable 3-mode 4-wheel-drive system**, developed using Nissan's expertise, also provides grip where you need it most, off the beaten track or during hazardous road conditions.

Times have changed. Driving a 4x4 used to be the reserve of a privileged few. With New Dacia Duster, it's a pleasure more of us can enjoy. Priced from just £9,495* on-the-road, New Duster offers supersize space for supermini prices. Its economical and ecological dCi 110 diesel engine achieves over 60.1mpg on the combined cycle and emits exceptionally low levels of CO₂ for an SUV: just 115 g/km on 4x2 versions and 123 g/km on 4x4 versions.†

Because everybody's different, New Dacia Duster concentrates on the essentials rather than the unnecessary. With five simple trim levels, three engines, an automatic or manual transmissions and a range of accessories, it's easy to choose the New Duster to suit you. From the affordable Access, to the luxurious Prestige. There's a New Dacia Duster for everyone.

*4x2 versions only **4x4 versions only

‡Manufacturer's "On The Road" Recommended Retail Price includes delivery to the dealer premises, number plates, a one-litre bottle of oil for all cars, 12 months government road fund licence (depending on CO₂ emissions) and First Registration Fee at £55. Other goods or services supplied by agreement between the customer and the Dealer are not included.

†EU Directive and Regulation 692/2008 test environment figures. Fuel consumption and CO₂ may vary according to driving styles, road conditions and other factors.



Model shown is Duster Lauréate in Slate Grey



Equipment

CORE FEATURES - standard on all versions of New Dacia Duster

Exterior Features

- Black front and rear bumpers (lower section)
- Double optic headlights
- Chrome front grille
- Longitudinal roof bars with 'Duster' inscription
- Black number plate surround with satin chrome 'Duster' inscription

Safety

- ABS and Emergency Brake Assist
- ESC (Electronic Stability Control) with ASR (Traction Control)
- Driver's airbag
- Passenger airbag with deactivation function
- Front side airbags
- Driver and passenger seatbelt not fastened - audible and visual warning
- Door open - visual and audible warning
- Front seatbelt pretensioners
- Height-adjustable front headrests
- Height-adjustable front seatbelts
- 3 x 3-point rear seatbelts
- ISOFIX points for child seats in both outer rear seats
- Child locks in rear doors
- Emergency spare wheel (4x4 versions only)
- Tyre inflation kit (4x2 versions only)
- High-level third rear brake light

Security

- Thatcham-approved engine immobiliser
- Remote central locking

Driving and Controls

- Power-assisted steering
- Gear shift indicator
- ECO mode
- Stop & Start
- Rev counter
- Centre differential lock with selectable 2WD, Auto and Lock modes (4x4 versions only)

Visibility and Exterior Lighting

- 3-speed front windscreen wipers
- Rear wash/wipe
- Heated rear window
- Daytime running lights

Comfort and Convenience

- Boot light
- 4-speed heating and ventilation with air recirculation

ACCESS - additional equipment over core features

Exterior Features

- 16" 'Eiger' steel wheels
- Black door handles
- Black door mirrors
- Black front and rear bumpers (upper section)
- Black roof bars with 'Duster' inscription
- Black side sills

Interior Features

- Matt Black central console surround
- Black door handles (front and rear)
- Cloth upholstery
- Black air vent surrounds

Safety

- Three height-adjustable rear headrests

Visibility and Exterior Lighting

- Manually adjustable door mirrors

Comfort and Convenience

- Electric front windows
- Manual rear windows
- One-piece folding rear bench seat
- Height-adjustable steering wheel

Communication and Connectivity

- Pre-wiring for accessory-fit radio and speaker system



AMBIANCE - additional equipment over Access

Exterior Features

- 16" 'Matterhorn' steel wheels
- Body coloured front and rear bumpers (upper section)

Interior Features

- Charcoal Grey central console surround
- Charcoal Grey door handles (front and rear)
- Chrome air vent surrounds

Visibility and Exterior Lighting

- Front fog lights

Comfort and Convenience

- Height-adjustable driver's seat
- 60/40 split folding rear seat (seatback only split)
- Rear passenger reading light

Communication and Connectivity

- 4 x 20W DAB/FM/AM tuner with steering-column mounted fingertip controls
- Bluetooth®* connectivity
- AUX input
- USB connection for MP3 players



LAUREATE - additional equipment over Ambiance

Exterior Features

- 16" 'Tyrol' alloy wheels
- Satin chrome door mirrors
- Body-coloured door handles
- Satin chrome roof bars with 'Duster' inscription
- Satin chrome side sills
- Satin chrome skid plates - front and rear

Interior Features

- Charcoal Grey decorative inserts on door panels
- Chrome logo surround on steering wheel
- Charcoal Grey lower steering wheel insert
- Black doorsill protection strip
- Map pockets on both front seatbacks
- Leather steering wheel
- Cloth upholstery
- Chrome gear lever cap insert

Driving and Controls

- 7-function on-board computer: odometer, trip computer, fuel used/average fuel consumption, fuel range, average speed, next service indicated, outside temperature gauge
- Cruise control and speed limiter

Visibility and Exterior Lighting

- Heated and electrically-adjustable door mirrors

Comfort and Convenience

- Manual air conditioning
- Electric rear windows
- Glovebox light
- Passenger vanity mirror in sunvisor
- Front map light



PRESTIGE - additional equipment over Lauréate

Exterior Features

- 16" Tyrol Diamond - cut alloy wheels

Comfort and Convenience

- MediaNav
 - Satellite navigation
 - RDS - TMC (Traffic Message Channel) for Traffic Info
 - SIRI 'Eyes Free'
- Reversing Camera
 - Rear parking sensors

Discover the new 2016 Special Edition: **Ambiance Prime**

In addition to everything you would expect to find on Ambiance such as body coloured bumpers, electric front windows, DAB radio and Bluetooth® connectivity, there's some extra exterior equipment to make your car look great on the road. Ambiance Prime also includes a new metallic colour, 'Chestnut' (exclusive to the trim level) and 16" alloy wheels.

Ambiance Prime offers great looks and great value in the Dacia way; starting at £11,095* for this stylish car.

Colours



Chestnut (CNG)

Equipment

All the standard features of Ambiance trim including:

- Body coloured front and rear bumpers (upper section)
- Chrome gear lever cap insert
- Bainite Cloth upholstery
- Front fog lights
- 60/40 split folding rear seat (seatback only split)
- DAB radio
- Bluetooth®* connectivity

Plus the following additional equipment as standard:

- Exclusive metallic paint: Chestnut
- 16" 'Everest' alloy wheels

Wheels



16" 'Everest' alloy wheels

Interiors and Upholstery



'Bainite' cloth upholstery



Colours

SOLID



Glacier White (369)

METALLIC



Mercury (D69)



Pearl Black (676)



Slate Grey (KNA)



Chestnut (CNG)



Cosmos Blue (RPR)



Pennine Green (DPC)

Colour Code	Colour	Access	Ambiance	Ambiance Prime	Lauréate	Prestige
SOLID PAINT						
369	Glacier White	●	●	○ ^{FOC}	●	●
METALLIC PAINT						
D69	Mercury	-	○	○	○	○
676	Pearl Black	-	○	○	○	○
KNA	Slate Grey	-	○	○	○	○
CNG	Chestnut	-	-	●	-	-
RPR	Cosmos Blue	-	○	○	○	○
DPC	Pennine Green	-	○	○	○	○

Wheels



16" 'Eiger' steel wheels



16" 'Sierra' steel wheels



16" 'Everest' alloy wheels



16" 'Tyrol' alloy wheels



16" Diamond-cut 'Tyrol' alloy wheels

	Access	Ambiance	Ambiance Prime	Lauréate	Prestige
16" 'Eiger' steel wheels	●	-	-	-	-
16" 'Matterhorn' steel wheels	-	●	-	-	-
16" 'Everest' alloy wheels	-	-	●	-	-
16" 'Tyrol' alloy wheels	-	-	-	●	-
16" Diamond-cut 'Tyrol' alloy wheels	-	-	-	-	●

● = Standard ○ = Optional - = Not available FOC = Free of Charge option

Interiors

ACCESS



AMBIANCE



LAUREATE+ / PRESTIGE



Upholstery



'Bainite' cloth upholstery

'Graphite' cloth upholstery

'Aspira' leather upholstery

	Access	Ambiance	Ambiance Prime	Lauréate	Prestige
'Bainite' cloth upholstery	●	●	●	-	-
'Graphite' cloth upholstery	-	-	-	●	●
'Aspira' leather* upholstery	-	-	-	○	○

*Genuine leather on central section; synthetic leather on side bolsters and rear.

† MediaNav 7" touchscreen and reverse parking camera optional on Lauréate trim

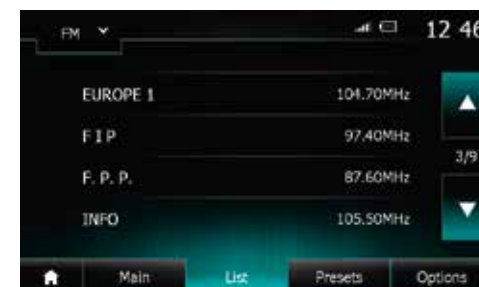
MediaNav multimedia system

Dacia's on-board 7" touch screen tablet MediaNav provides access to useful and practical features including: navigation, media from multiple sources and handsfree telephone using Bluetooth® technology. Enjoy stress free travel with Dacia MediaNav. Available as standard on Prestige or optional on Lauréate.



Navigation

Provided by Navteq with vocal guidance.



Radio

Listen to DAB, FM or AM radio.



Phone

Bluetooth® technology* allows you to make and receive calls on the move.



Music

DAB/FM/AM tuner, connect devices via USB and AUX sockets.

*For compatible devices, please refer to <http://www.dacia.co.uk/owner-services/multimedia/>

Engines

At Dacia, we believe that having an affordable car shouldn't mean having to compromise on engine quality. Rigorous testing of Dacia engines is carried out at our state-of-the-art test centres, with each variant undergoing 20,000 hours of running on the test bench and 800,000 kilometres of test driving.

The New Dacia Duster offers you three types of engine.

The entry engine SCe 115 offers you 115bhp from its 4-cylinder, 1,600cc engine achieving an efficient 44.1mpg combined (4x2) and CO₂ emissions of 145g/km (4x2).*

The TCe engine brings you more performance without excessive price. Thanks to turbocharging technology, the TCe 125 produces an impressive 125bhp from its 4-cylinder, 1,200cc engine, yet still achieves 46.3 mpg combined (4x2) and CO₂ emissions of just 138 g/km (4x2).*

For those seeking ultimate fuel efficiency, the 1.5 dCi 110 diesel engine achieves 64.2 mpg (4x2) combined and only 115 g/km CO₂ (4x2).*

Efficient Dual Clutch (EDC) automatic gearbox

For greater comfort and pleasure, the 6-speed dual-clutch EDC automatic gearbox is available with the dCi 110 4x2 powertrain on Lauréate and Prestige trim levels. Upshifting is fast and smooth, with no jerking or loss in acceleration.



Engine availability

	Access	Ambiance	Ambiance Prime	Lauréate	Prestige
SCe 115 4x2	●	●	●	-	-
SCe 115 4x4	●	●	●	-	-
TCe 125 4x2	-	-	-	●	●
TCe 125 4x4	-	-	-	●	●
dCi 110 4x2	-	●	●	●	●
dCi 110 4x2 Auto	-	-	-	●	●
dCi 110 4x4	-	●	●	●	●

● = Standard - = Not available *EU Directive and Regulation 692/2008 test environment figures. Fuel consumption and CO₂ may vary according to driving styles, road conditions and other factors.

Range Overview and Pricing

Version Name	Engines	Euro Status	HP	CO ₂ g/km**	CO ₂ Band	Combined Fuel Consumption (mpg)**	Benefit in Kind	Insurance Group	Basic Price (£)	VAT 20% (£)	Total retail price (£) [†]	On the road price [†]
Access	SCe 115 4x2	6	114	145	F	44.1	26%	9	7,250.00	1,450.00	8,700.00	£9,495.00
	SCe 115 4x4	6	114	155	G	41.5	28%	8	8,883.33	1,776.67	10,660.00	£11,495.00
Ambiance	SCe 115 4x2	6	114	145	F	44.1	26%	9	8,166.67	1,633.33	9,800.00	£10,595.00
	SCe 115 4x4	6	114	155	G	41.5	28%	8	9,800.00	1,960.00	11,760.00	£12,595.00
	dCi 110 4x2	6	109	115	C	64.2	20%	11	9,870.83	1,974.17	11,845.00	£12,495.00
	dCi 110 4x4	6	109	123	D	60.1	21%	10	11,537.50	2,307.50	13,845.00	£14,495.00
Ambiance Prime	SCe 115 4x2	6	114	145	F	44.1	26%	10	8,583.33	1,716.67	10,300.00	£11,095.00
	SCe 115 4x4	6	114	155	G	41.5	28%	8	10,216.67	2,043.33	12,260.00	£13,095.00
	dCi 110 4x2	6	109	115	C	64.2	20%	11	10,287.50	2,057.50	12,345.00	£12,995.00
	dCi 110 4x4	6	109	123	D	60.1	21%	10	11,954.17	2,390.83	14,345.00	£14,995.00
Lauréate	TCe 125 4x2	6	125	138	E	46.3	24%	11	10,095.83	2,019.17	12,115.00	£12,895.00
	TCe 125 4x4	6	125	145	F	44.1	26%	11	11,750.00	2,350.00	14,100.00	£14,895.00
	dCi 110 4x2	6	109	115	C	64.2	20%	12	11,120.83	2,224.17	13,345.00	£13,995.00
	dCi 110 4x2 Auto	6	109	116	C	62.8	20%	12	11,954.17	2,390.83	14,345.00	£14,995.00
	dCi 110 4x4	6	109	123	D	60.1	21%	11	12,787.50	2,557.50	15,345.00	£15,995.00
	TCe 125 4x4	6	125	145	F	44.1	26%	11	10,845.83	2,169.17	13,015.00	£13,795.00
Prestige	TCe 125 4x2	6	125	138	E	46.3	24%	11	12,500.00	2,500.00	15,000.00	£15,795.00
	dCi 110 4x2	6	109	115	C	64.2	20%	12	11,870.83	2,374.17	14,245.00	£14,895.00
	dCi 110 4x2 Auto	6	109	116	C	62.8	20%	12	12,704.17	2,540.83	15,245.00	£15,895.00
	dCi 110 4x4	6	109	123	D	60.1	21%	11	13,537.50	2,707.50	16,245.00	£16,895.00

† All prices shown are the manufacturer's recommended retail prices. The "On the road" price includes delivery to the dealer premises, number plates, 12 months government road fund licence (cost dependent on CO₂ emissions) and First Registration Fee at £55. Other goods or services supplied by agreement between the customer and the Dealer are not included. *For more comfort and pleasure, the **EDC 6 speed dual-clutch automatic** gearbox is offered with the dCi 110 engine. Upshifting is fast and smooth, with no jerking or loss in acceleration. **EU Directive and Regulation 692/2008 test environment figures. Fuel consumption and CO₂ may vary according to driving styles, road conditions and other factors.

Options

OPTIONS	Access	Ambiance	Ambiance Prime	Lauréate	Prestige	Total Retail Price [#]
Metallic paint	-	○	● [†]	○	○	£495.00
MediaNav 7" touchscreen multimedia system including : - Satellite navigation - USB and AUX connection points - Steering column-mounted fingertip controls - Bluetooth [®] connectivity for handsfree telephony and audio streaming - RDS - TMC (Traffic Message Channel) for Traffic Info - SIRI 'Eyes Free'	-	-	-	○	●	£450.00
Western European Mapping Upgrade	-	-	-	○	○	£90.00
Aspira leather upholstery*	-	-	-	○	○	£500.00
Rear parking sensors	-	○	○	○	●	£200.00
Reverse parking camera**	-	-	-	○	●	£400.00
4X2 Emergency Spare Wheel	○	○	○	○	○	£150.00

● = Standard ○ = Optional - = Not available * Genuine leather on central section; synthetic leather on side bolsters and rear. ** Requires MediaNav multimedia system; includes rear parking sensors. † Only Chestnut metallic paint is standard.
[^] For compatible devices, please refer to <http://www.dacia.co.uk/owner-services/multimedia/> #Manufacturer's Recommended Retail Price.

Accessories



PROTECTION PACK

Alarm, 'Monitor' carpet mats - front and rear, Exterior tailgate protection, Mudguards - front and rear, All-in-one boot liner, Rear parking sensors



TOURING PACK

Standard towbar with 13-pin electric kit, Transversal roof bars (to fit longitudinal roof bars), Front central armrest - dark grey



STYLING PACK

Chrome side bars, Chrome front bar, Chrome plated exhaust tailpipe finisher



WINDOW PACK

Wind deflectors (Front and Rear windows), Sun blinds (rear windscreen and 4 rear windows)



LEATHER PACK

Front and rear seats finished in Ash leather*



SIDESTEPS

Accentuate your Dacia's muscular look while protecting the bodywork from small, everyday bumps. They make access to your roof accessories practical and easy.

ACCESSORIES ¹	Access	Ambiance	Ambiance Prime	Lauréate	Prestige	Total Retail Price [^]
Boot liner	○	○	○	○	○	£65.00
Side steps	○	○	○	○	○	£550.00
Spoiler Pack - Carbon	○	○	○	○	○	£240.00
Leather Pack	○	○	○	○	○	£995.00
Protection Pack	○	○	○	○	○	£645.00**
Styling Pack	○	○	○	○	○	£595.00
Touring Pack	○	○	○	○	○	£555.00
Action Pack	○	○	○	○	○	£745.00
Window Pack	○	○	○	○	○	£275.00

To find out about our full range of available accessories, please consult your local Dacia dealer.

○ = Optional - = Not available †Accessories pricing includes fitting.

*Leather facings with synthetic leather sides and backs.

**For Prestige versions or versions with factory fit rear parking sensors, Protection Pack is £495 (Rear parking sensors not included).

[^]Manufacturer's Recommended Retail Price.

Extended Warranty and Service plans

EXTENDED WARRANTY	Access	Ambiance	Ambiance Prime	Lauréate	Prestige	Total Retail Price [^]
4 yrs / 60,000 miles*	○	○	○	○	○	£250.00
4yrs / 80,000 miles*	○	○	○	○	○	£295.00
5 yrs / 60,000 miles**	○	○	○	○	○	£395.00
7 yrs / 100,000 miles**	○	○	○	○	○	£850.00
SERVICE PLAN						
2yrs / 24,000 miles [†]	○	○	○	○	○	£329.00
3yrs / 30,000 miles [†]	○	○	○	○	○	£479.00
3yrs / 36,000 miles [†]	○	○	○	○	○	£559.00

[^]Manufacturer's Recommended Retail Price ○ = Optional Dacia warranty ends when you reach the age or mileage limit (whichever comes first). For full Warranty Terms and Conditions visit <http://www.dacia.co.uk/services-and-finance/warranty>.

*Available to purchase from first date of registration up to end of manufacturer warranty. ** Available to purchase from first date of registration up to 12 months after registration. [†]The Service plan offer is available for eligible retail vehicles only and valid at participating dealers only. Vehicle must be ordered between 1st January 2016 and 31st December 2016 and registered in 2016. The Dacia Service Plan covers the manufacturer's minimum maintenance programme requirements for the term of the plan purchased (refer to the Warranty and Service sheet in the Handover Document wallet for details). The plan ends when you reach the age or mileage limit (whichever comes first). Services must be carried out in line with the manufacturer's minimum maintenance programme requirements and servicing intervals within +/- 1 month or 1,000 miles of the service interval and can only be carried out at a Dacia Approved outlet. Service plans do not cover wear and tear items such as (but not limited to) tyres, wiper blades or brakes. To qualify you must order and purchase the Service plan from a Dacia Approved outlet before the first service or within the first 12 months (whichever comes first). For Service plan full Terms & Conditions visit www.dacia.co.uk/services-and-finance/service-plan. Cannot be part exchanged, refunded or transferred.



ACTION PACK

Chrome front bar, Fog lamp rings, Black rear roof spoiler, Side Steps

SPOILER PACK

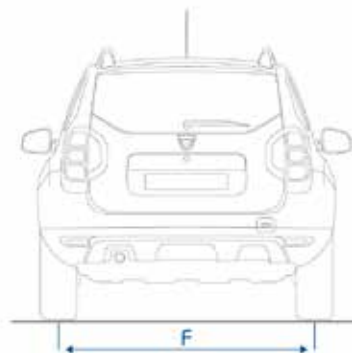
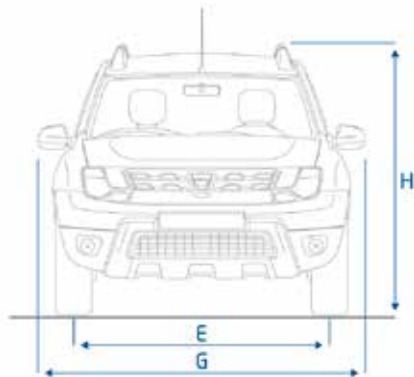
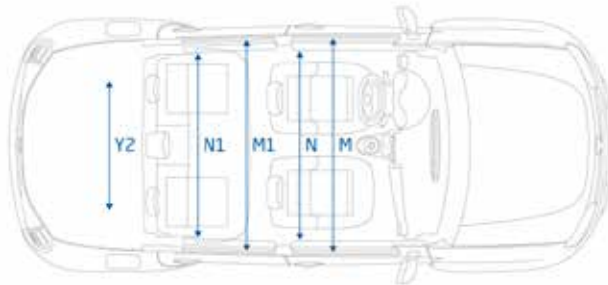
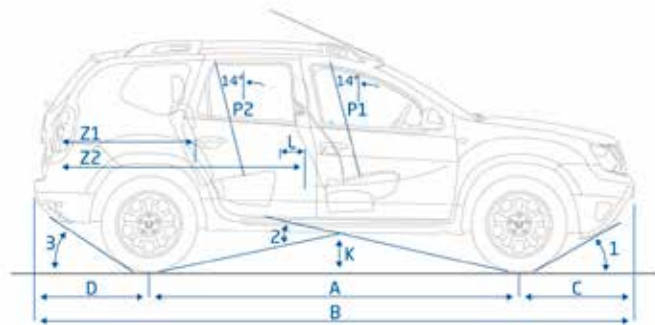
Boost your New Duster's muscular, powerful look and protect its bonnet. Black Carbon-look front bonnet protector and rear roof spoiler.

Technical Specifications

	SCe 115 4x2	SCe 115 4x4	TCe 125 4x2	TCe 125 4x4	dCi 110 4x2	dCi 110 4x2 Auto	dCi 110 4x4
ENGINE							
Engine type	H4Mk JRS	H4Mk TL8	H5Ft TL4	H5Ft TL8	K9K 658	K9K 667	K9K 658
Cubic capacity (cm³)	1,598	1,598	1,197	1,197	1,461	1,461	1,461
Number of cylinders/valves	4 in line / 16	4 in line / 16	4 in line / 16	4 in line / 16	4 in line / 8	4 in line / 8	4 in line / 8
Fuel	Unleaded petrol	Unleaded petrol	Unleaded petrol	Unleaded petrol	Diesel	Diesel	Diesel
Fuel injection type	Multipoint sequential	Multipoint sequential	Direct	Direct	Commonrail direct + multipoint injection	Commonrail direct + multipoint injection	Commonrail direct + multipoint injection
Aspiration	Naturally-aspirated	Naturally-aspirated	Turbocharged	Turbocharged	Turbocharged	Turbocharged	Turbocharged
Particulate filter (PF)	-	-	-	-	Standard	Standard	Standard
Bore x Stroke	78 x 83.6	78 x 83.6	72.2 x 73.2	72.2 x 73.2	76 x 80.5	76 x 80.5	76 x 80.5
Compression ratio	10.7	10.7	9.25	9.25	15.5	15.5	15.5
Peak power KW (HP) @ RPM	84 (115) @ 5,500	84 (115) @ 5,500	92 (125) @ 5250	92 (125) @ 5250	80 (109) @ 4,000	80 (109) @ 4,000	80 (109) @ 4,000
Peak torque (Nm) @ RPM	156 @ 4,000	156 @ 4,000	205 @ 2000	205 @ 2000	260 @ 1,750	250 @ 1,750	260 @ 1,750
Stop and Start	Yes	Yes	Yes	Yes	Yes	Yes	Yes
PERFORMANCE							
Aerodynamics S (m2) / Cx	2.42 / 0.42	2.42 / 0.42	2.42 / 0.42	2.42 / 0.42	2.42 / 0.42	2.42 / 0.42	2.42 / 0.42
Maximum Speed mph (km/h)	105 (170)	104 (168)	109 (175)	110 (177)	105 (169)	105 (169)	104 (168)
0- 62 mph - secs (0-100 km/h)	11.0	12.0	10.4	11.0	11.8	11.9	12.4
400 m stopping distance (secs)	17.8	18.5	17.2	17.8	18.1	18.7	18.7
1000 m stopping distance (secs)	32.2	33.8	32.1	32.7	34.2	33.8	34.5
FUEL CONSUMPTION * AND EMISSIONS							
CO ₂ (g/km)	145	155	138	145	115	116	123
Urban cycle - mpg (l/100 km)	36.7 (7.7)	35.3 (8.0)	38.7 (7.3)	39.8 (7.1)	62.8 (4.5)	64.2 (4.4)	58.9 (4.8)
Extra-urban cycle - mpg (l/100km)	50.4 (5.6)	45.6 (6.2)	51.4 (5.5)	47.1 (6.0)	65.7 (4.3)	62.8 (4.5)	60.1 (4.7)
Combined cycle - mpg (l/100km)	44.1 (6.4)	41.5 (6.8)	46.3 (6.1)	44.1 (6.4)	64.2 (4.4)	62.8 (4.5)	60.1 (4.7)
GEARBOX							
Drive type	Front-wheel drive	All-wheel drive (selectable)	Front-wheel drive	All-wheel drive (selectable)	Front-wheel drive	Front-wheel drive	All-wheel drive (selectable)
Gearbox type	Manual	Manual	Manual	Manual	Manual	Efficient Dual Clutch	Manual
Gearbox type/index	JRQ / 395	TL8 / 008	TL4*082	TL8*004	TL4 / 075	DC4*020	TL8 / 005
Number of forward gears	5	6	6	6	6	6	6
Vehicle speeds (mph) per 1000 rpm: in 1st gear	4.80	3.60	4.71	3.60	4.96	4.58	3.60
Vehicle speeds (mph) per 1000 rpm: in 2nd gear	8.73	6.20	9.01	6.20	9.49	7.96	6.20
Vehicle speeds (mph) per 1000 rpm: in 3rd gear	13.53	9.49	13.27	9.82	13.97	12.25	9.82
Vehicle speeds (mph) per 1000 rpm: in 4th gear	18.40	13.69	18.00	14.39	18.95	17.4	14.39
Vehicle speeds (mph) per 1000 rpm: in 5th gear	23.64	17.54	23.00	19.78	24.21	23.34	19.78
Vehicle speeds (mph) per 1000 rpm: in 6th gear	-	21.92	27.50	25.99	28.96	30.14	25.99
STEERING							
Steering type	Power-assisted (Hydraulic)	Power-assisted (Hydraulic)	Power-assisted (Hydraulic)	Power-assisted (Hydraulic)	Power-assisted (Hydraulic)	Power-assisted (Hydraulic)	Power-assisted (Hydraulic)
Turning circle between pavements / walls (m)	10.44 / 10.76	10.44 / 10.76	10.44 / 10.76	10.44 / 10.76	10.44 / 10.76	10.44 / 10.76	10.44 / 10.76
Number of turns (lock-to-lock)	3.3	3.3	3.3	3.3	3.3	3.3	3.3
SUSPENSION							
Front suspension type	McPherson-type with rectangular lower arm and anti-roll bar						
Rear suspension type	Flexible axle with programmed deflection and coil springs	McPherson-type multi-link	Flexible axle with programmed deflection and coil springs	McPherson-type multi-link	Flexible axle with programmed deflection and coil springs	Flexible axle with programmed deflection and coil springs	McPherson-type multi-link
WHEELS / TYRES							
Wheel size	6.5 J 16	6.5 J 16	6.5 J 16	6.5 J 16	6.5 J 16	6.5 J 16	6.5 J 16
Tyre specification	215/65 R 16 98H M+S	215/65 R 16 98H M+S	215/65 R 16 98H M+S	215/65 R 16 98H M+S	215/65 R 16 98H M+S	215/65 R 16 98H M+S	215/65 R 16 98H M+S
BRAKING							
Front: Ventilated discs - diameter (mm) / thickness (mm)	269 / 22	269 / 22	280 / 24	280 / 24	280 / 24	280 / 24	280 / 24
Rear: Drum - diameter (inches)	9	9	9	9	9	9	9
Anti-lock Braking System (ABS)	Standard (Bosch 9.1)	Standard (Bosch 9.1)	Standard (Bosch 9.1)	Standard (Bosch 9.1)	Standard (Bosch 9.1)	Standard (Bosch 9.1)	Standard (Bosch 9.1)
Electronic Brakeforce Distribution (EBD)	Standard	Standard	Standard	Standard	Standard	Standard	Standard
Emergency Brake Assist (EBA)	Standard	Standard	Standard	Standard	Standard	Standard	Standard
ESC (Electronic Stability Control)	Standard	Standard	Standard	Standard	Standard	Standard	Standard
FUEL TANK CAPACITY							
Fuel tank capacity (litres)	50	50	50	50	50	50	50
Kerb Weight (Excluding Driver) (kg)	1,147	1,254	1,201	1,312	1,245	1,336	1,325
WEIGHT							
Unladen weight on front axle (kg)	686	732	734	776	777	-	791
Unladen weight on rear axle (kg)	461	522	467	536	468	-	534
Total authorised laden weight (kg)	1,697	1,804	1,751	1,870	1,795	1,824	1,875
Gross train weight (GTW)	2,897	3,304	2,951	3,370	2,995	3,024	3,375
Max payload (kg)	550	550	550	550	550	475	550
TOWING CAPACITY							
Max (driver only) towing weight: braked (kg)	1,500	1,500	1,500	1,500	1,500	1,500	1,500
Max (driver only) towing weight: unbraked (kg)	580	640	635	690	640	670	695
GROUND CLEARANCE							
Ground clearance (unladen) (mm)	205	210	205	210	205	205	210
Wading depth (mm)	350	350	350	350	350	350	350

* Official Fuel consumption figures are produced for comparison purpose and are measured according to the European Directive 80/1268/EEC. These figures are specific for a vehicle type and not for a single car. Real world fuel (actual) consumption can vary as the fuel efficiency of a vehicle is influenced by driving behaviour, weather and road conditions. The use of technical equipment for example air conditioning, can also effect the fuel consumption. For further information, please visit the Vehicle Certification Agency web site www.vca.gov.uk

Dimensions



EXTERIOR DIMENSIONS (mm)	4x2	4x4
A - Wheelbase	2,673	
B - Overall bodywork length	4,315	
C - Front overhang	822	
D - Rear overhang	820	
E - Front track	1,560	
F - Rear track	1,567	
G - Overall width with / without door mirrors	2,000 / 1,822	
H - Unladen height / with roof bars	1,625 / 1,695	
K - Ground clearance (unladen)	205	210
L - Rear knee room	183	
M - Front elbow room	1,411	
M1 - Rear elbow room	1,438	
N - Front shoulder width	1,387	
N1 - Rear shoulder width	1,400	
P1 - Distance between hip joint and ceiling in front seats	907	
P2 - Distance between hip joint and ceiling in rear seats	895	
Y2 - Interior width between wheel arches	1,002	
Z1 - Loading length, rear seat in place	992	
Z2 - Loading length with rear seats folded	1,760	
BOOT VOLUME	4x2	4x4
Under luggage space with repair kit / spare wheel	475 / 475	443 / 408
Maximum boot space with rear seats folded down (litres)	1,636 / 1,636	1,604 / 1,570
CLEARANCE ANGLES	4x2 and 4x4	
1 Approach angle	30°	
2 Ventral angle	23°	
3 Departure angle	36°	

New Dacia Duster



Network

To find your nearest Dacia dealer, please consult the dealer locator on our website at www.dacia.co.uk. Alternatively, you can call our Dacia Customer Services helpline on 0344 3351111.

Roadside Assistance

We don't expect it to happen, but we'll ensure help is on hand if it does. In the event of a breakdown, help is just a phone call away with Dacia Assistance. This service is provided 24 hours a day, 365 days a year. We'll provide prompt roadside assistance in the UK and Northern Ireland for the first 3 years / 60,000 miles*, in line with the terms of the standard manufacturer's Warranty.

Servicing

The service interval on all versions of Dacia Duster is 1 year or 12,000 miles, whichever limit is reached first. Your local Dacia main dealer is fully equipped to service your Dacia Duster.

For customers who prefer to budget their costs monthly and fund their new car through Dacia Finance we offer the option to purchase a 2 year/24,000 miles plan at £12.50/month, 3 year/36,000 miles plan at £12.50/month, 3 year/36,000 miles plan at £14.50/month and 4 year/40,000 miles plan at £15.50/month.** Speak to your Dacia dealer for more information.

For full Service Plan Terms & Conditions visit www.dacia.co.uk/services-and-finance/service-plan

Warranty

Your new Dacia is covered by a standard 3 year / 60,000 mile* Warranty package. Under the terms of this Warranty, your Dacia dealer is able to repair or replace, without charge, parts that are found to have a material or assembly defect that is recognised by Dacia. Your new Dacia also comes with a 2 year paintwork warranty, as well as a 6 year anti-corrosion warranty.

*For full Dacia Warranty Terms and Conditions visit <http://www.dacia.co.uk/services-and-finance/warranty/>

Extended Warranty

At Dacia, we don't force you to pay a premium for a longer warranty if you don't want one, but we'll offer you the opportunity to purchase one if you do. By extending your warranty, you'll benefit from ongoing protection from mechanical and electrical failure after the standard manufacturer's warranty has expired. You can choose to extend your Warranty to the following levels:

- 5 years / 60,000 miles*
- 7 years / 100,000 miles*

* Dacia warranty ends when you reach the age or mileage limit (whichever comes first). ** The Service plan offer is available for eligible retail vehicles only and valid at participating dealers only. Vehicle must be ordered between 1st January 2016 and 31st December 2016 and registered in 2016. The Dacia Service Plan covers the manufacturer's minimum maintenance programme requirements for the term of the plan purchased (refer to the Warranty and Service sheet in the Handover Document wallet for details). The plan ends when you reach the age or mileage limit (whichever comes first). Services must be carried out in line with the manufacturer's minimum maintenance programme requirements and servicing intervals within +/- 1 month or 1,000 miles of the service interval and can only be carried out at a Dacia Approved outlet. Service plans do not cover wear and tear items such as (but not limited to) tyres, wiper blades or brakes. To qualify you must order and purchase the Service plan from a Dacia Approved outlet before the first service or within the first 12 months (whichever comes first). For Service plan full Terms & Conditions visit www.dacia.co.uk/services-and-finance/service-plan. Cannot be part exchanged, refunded or transferred. Finance provided by Dacia Finance Ltd, P.O. Box 149, Watford, WD17 1FJ. Guarantees and indemnities may be required. You must be at least 18 and a UK resident (excludes Isle of Man and Channel Islands) to apply. Subject to status, terms and conditions apply. The monthly Service plan offer is available at point of signing agreement for vehicle purchased under HP and PCP finance agreement provided by Dacia Finance Ltd.

Although every effort has been made to ensure that the information contained within this brochure is as accurate and up to date as possible, Dacia UK reserves the right to modify its models without notice, including their characteristics, specifications, equipment and accessories. Brochures inevitably become out of date or inaccurate in some respects, in that such characteristics, specifications, equipment, or accessories may be changed after the publication date given below and can differ from the descriptions given or the photos displayed. It is therefore necessary to check with your Dacia Dealer before purchasing any product that the characteristics, specifications, equipment or accessories of the vehicle on order are as advertised.

CHARTERHOUSE - PART NUMBER 7701 380 778 - 10 NOVEMBER 2016
Dacia UK Customer Relations, The Rivers Office Park, Denham Way, Maple Cross, Rickmansworth, Hertfordshire, WD3 9YS - Tel: 0344 3351111